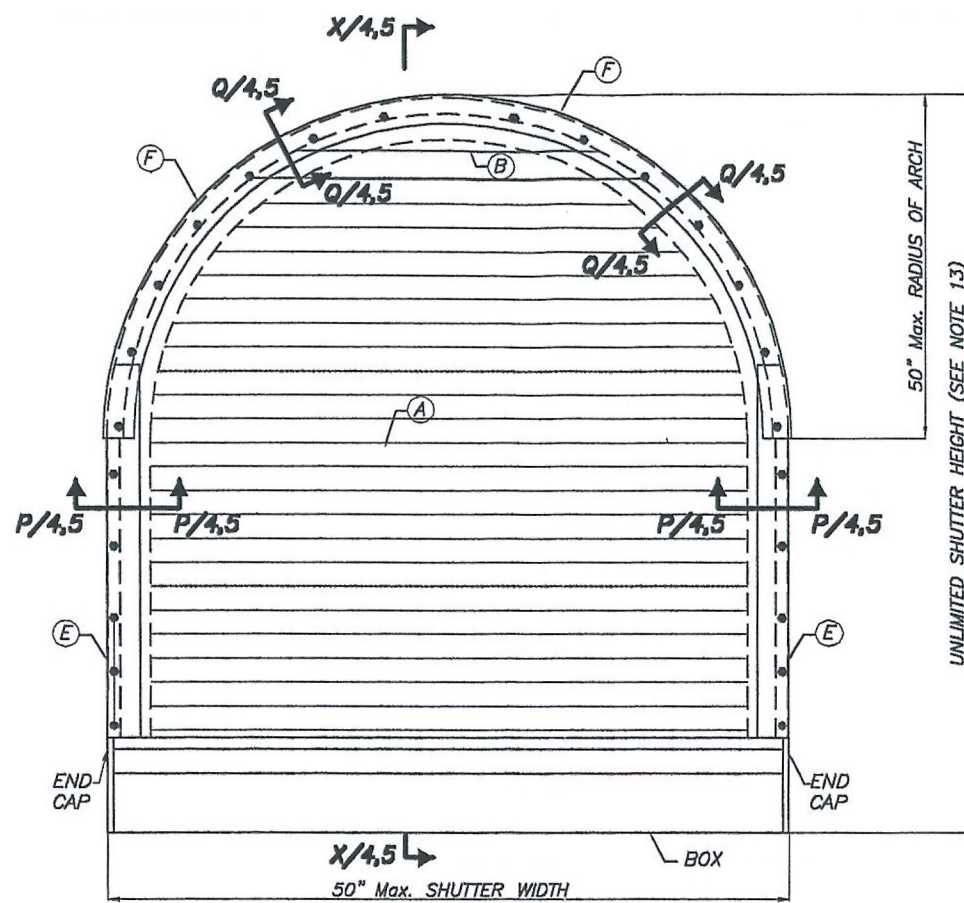


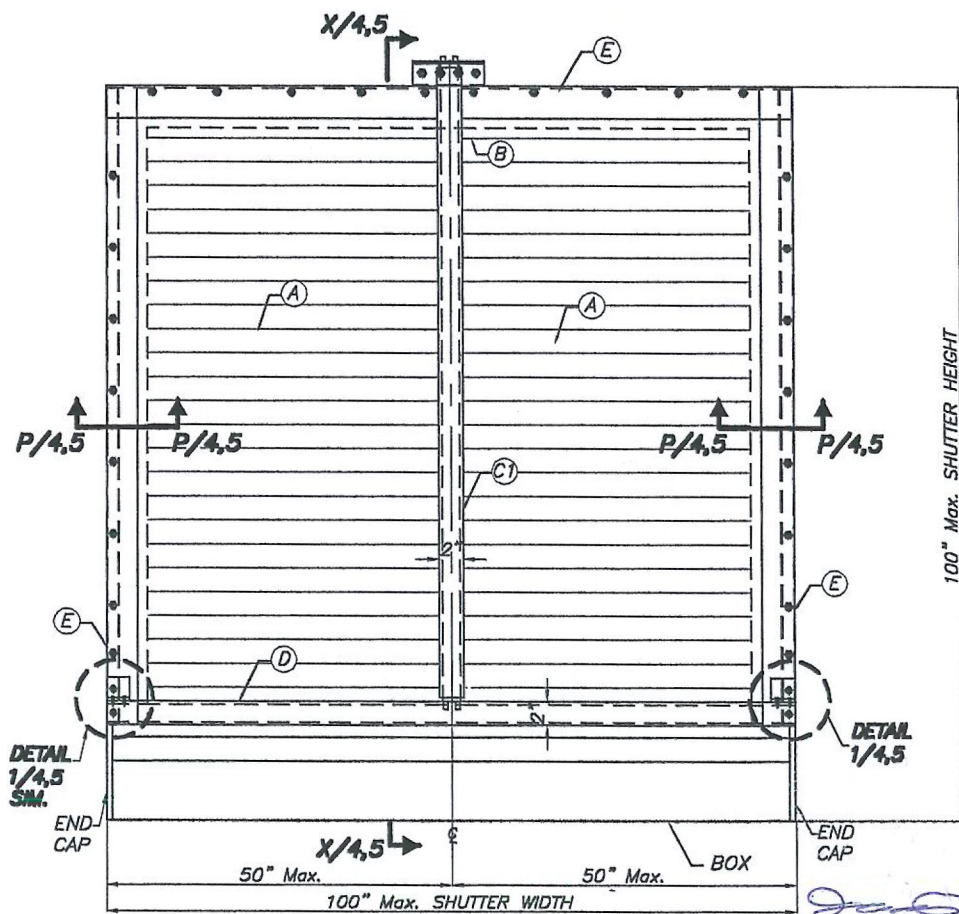
TYPICAL DOUBLE UNIT ARCHED ELEVATION (STORM BARS REQUIRED)

NOTE: SEE SHEET 3 OF 5 FOR COMPONENTS NOMENCLATURE
SCALE: 3/4"=1'



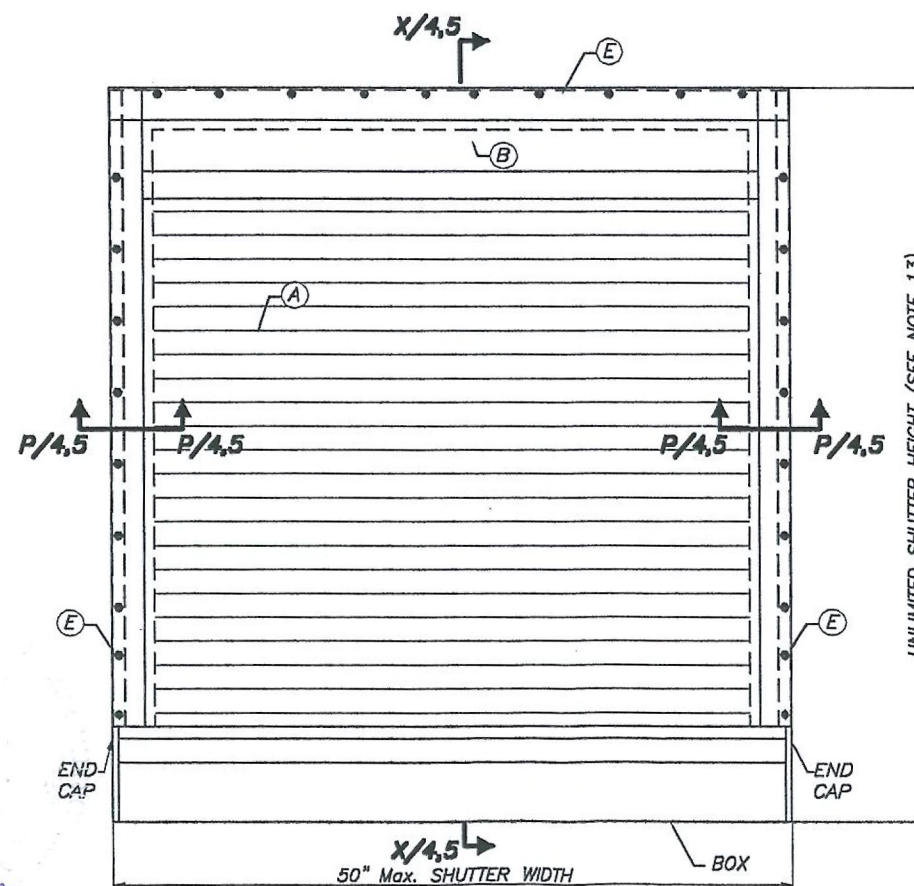
TYPICAL SINGLE UNIT ARCHED ELEVATION (NO STORM BARS REQUIRED)

NOTE: SEE SHEET 3 OF 5 FOR COMPONENTS NOMENCLATURE
SCALE: 3/4"=1'



TYPICAL DOUBLE UNIT ELEVATION (STORM BARS REQUIRED)

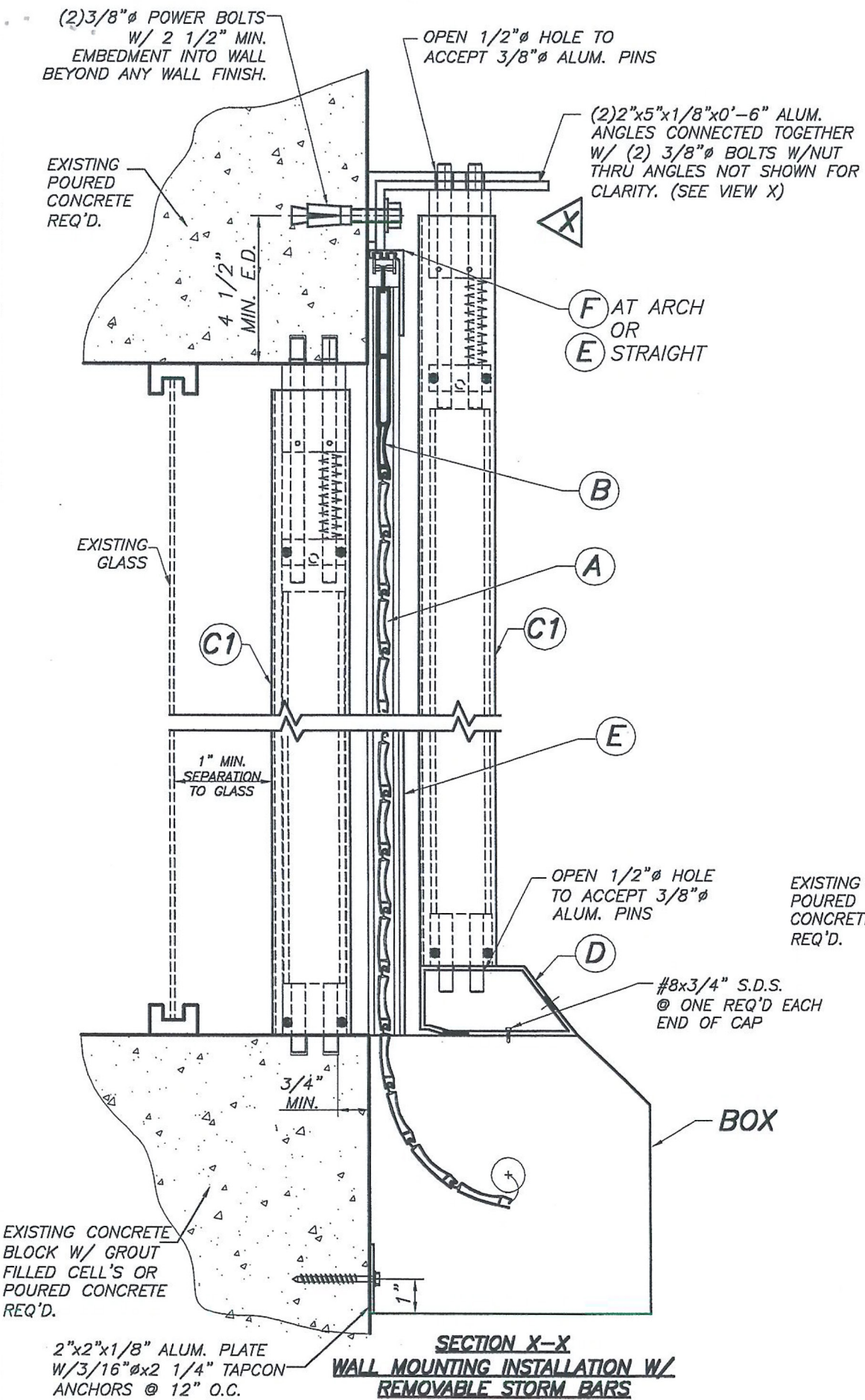
NOTE: SEE SHEET 3 OF 5 FOR COMPONENTS NOMENCLATURE
SCALE: 3/4"=1'



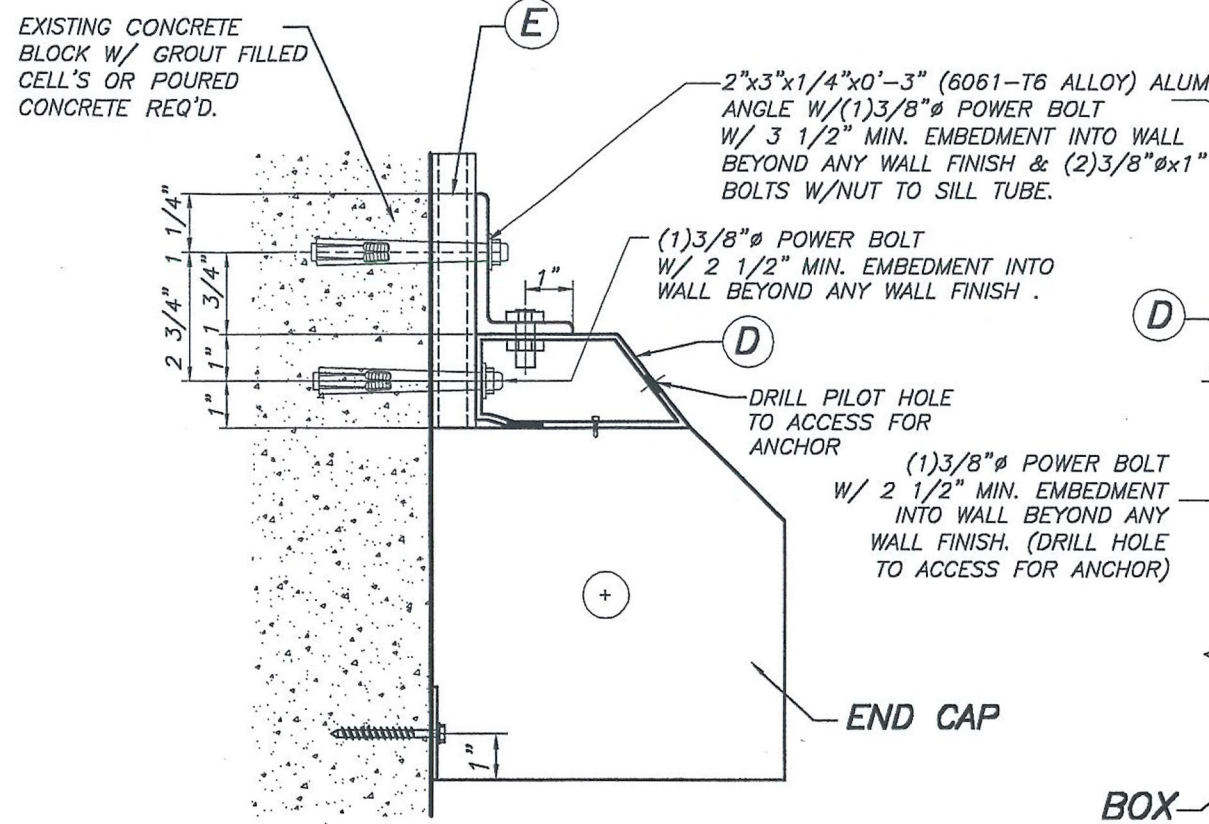
TYPICAL SINGLE UNIT ELEVATION (NO STORM BARS REQUIRED)

NOTE: SEE SHEET 3 OF 5 FOR COMPONENTS NOMENCLATURE
SCALE: 3/4"=1'

Handwritten signature
OCT 06 2004



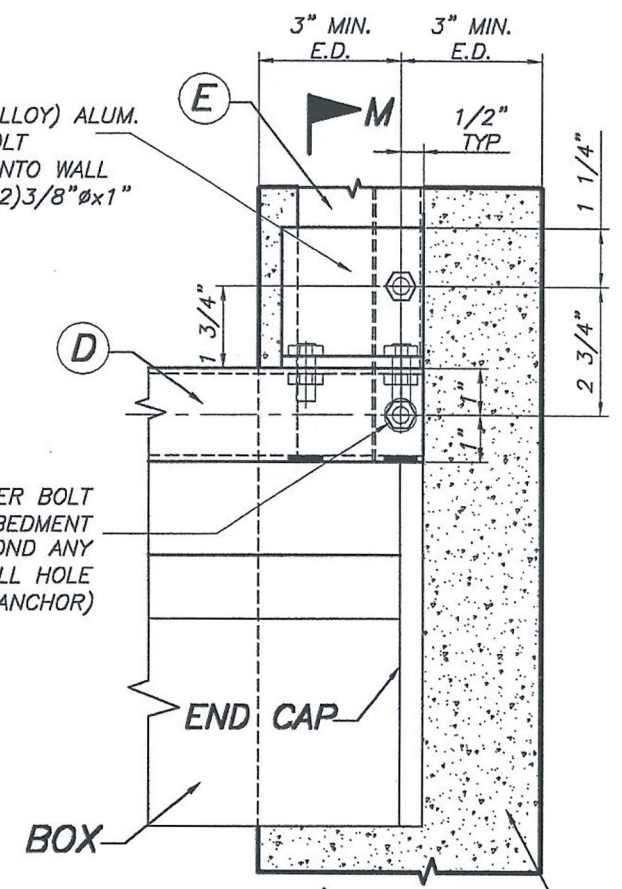
SINGLE SPAN SECTIONS AND DETAILS ARE SIMILAR TO ABOVE SHOWN WITHOUT STORM BARS AND SILL TUBE



SECTION M-M

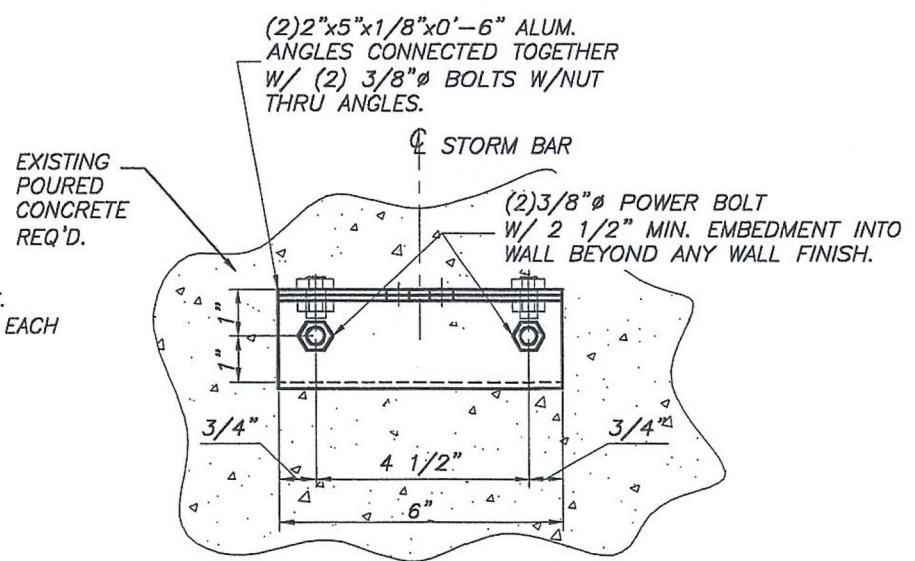
DETAIL 1

SCALE: 1/2"=1"



ELEVATION

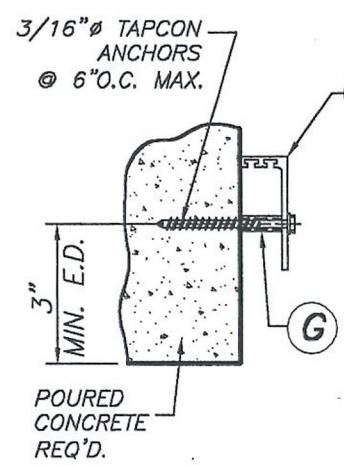
EXISTING CONCRETE
BLOCK W/ GROUT
FILLED CELL'S OR
POURED CONCRETE
REQ'D.



VIEW X

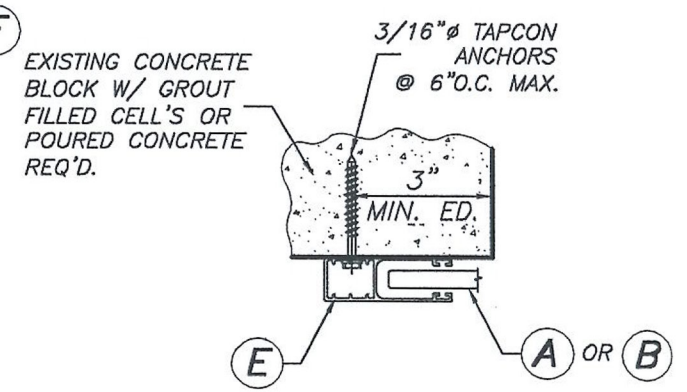
SCALE: 1/2"=1"

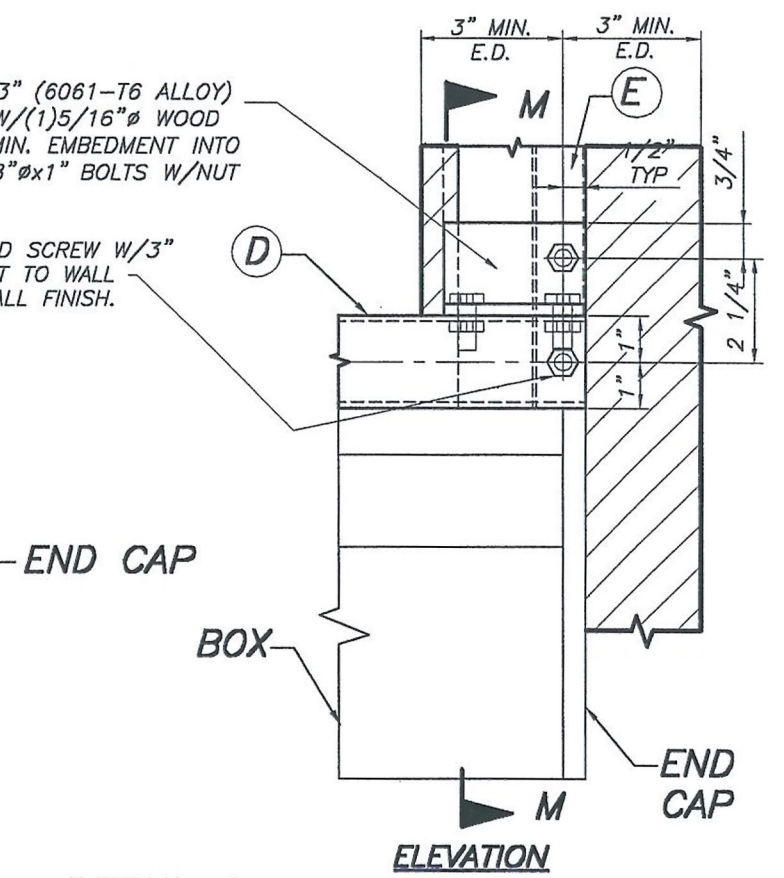
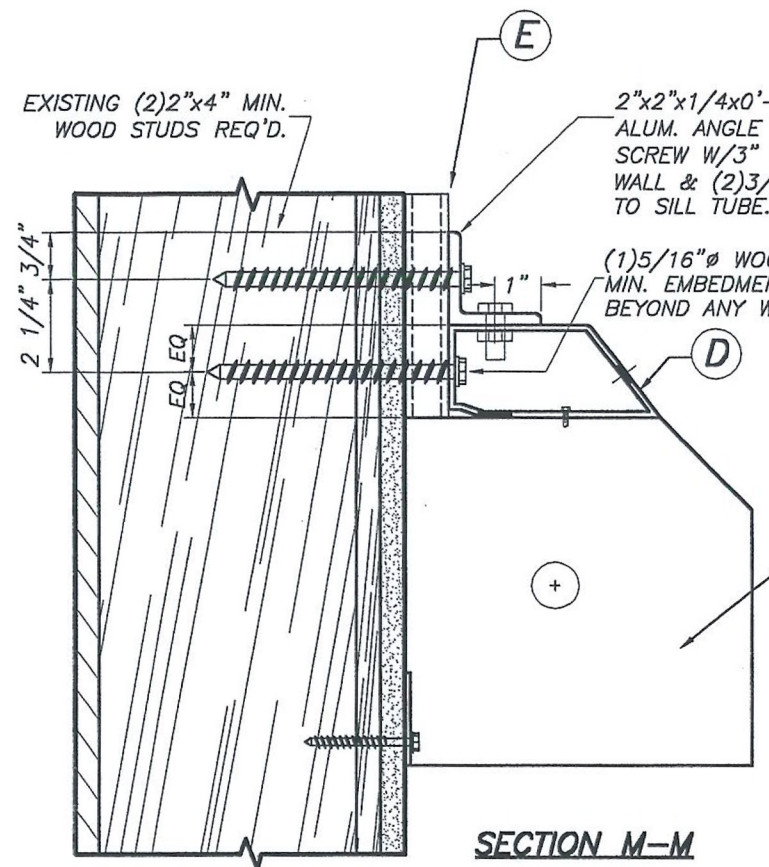
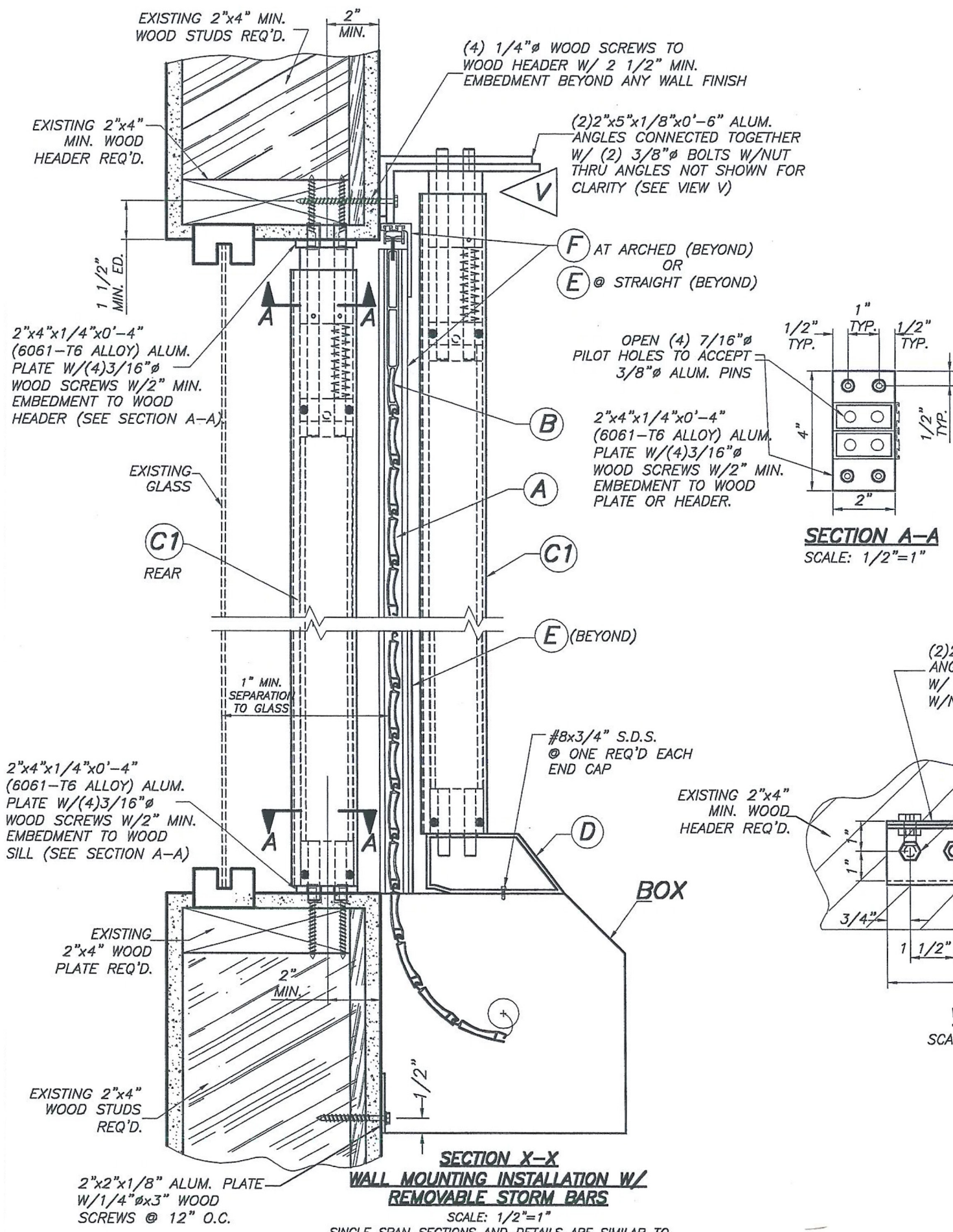
(STORM BAR NOT SHOWN FOR CLARITY)



SECTION Q-Q

SCALE: 1/2"=1"





DETAIL 1
SCALE: 1/2"=1"

