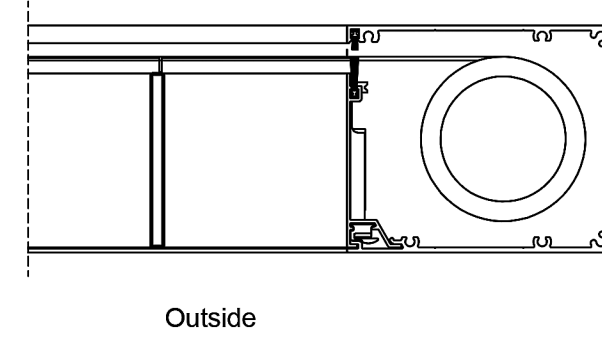
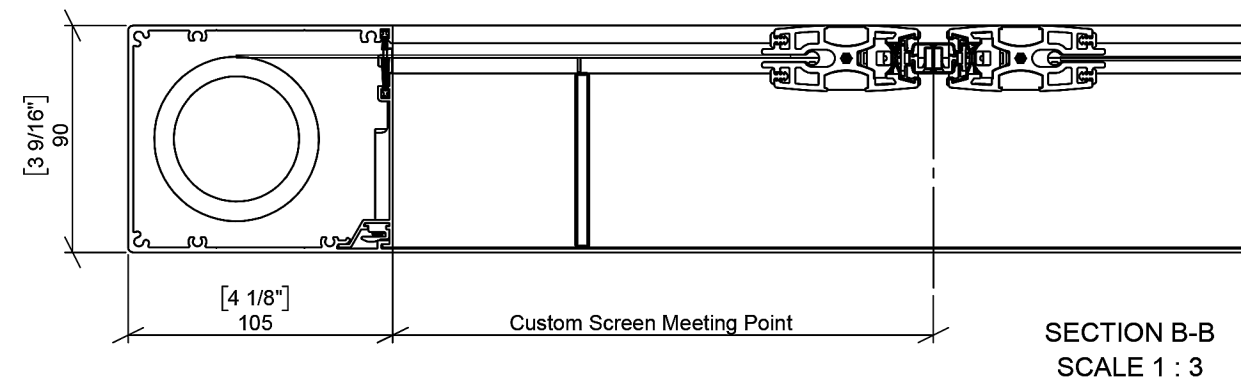
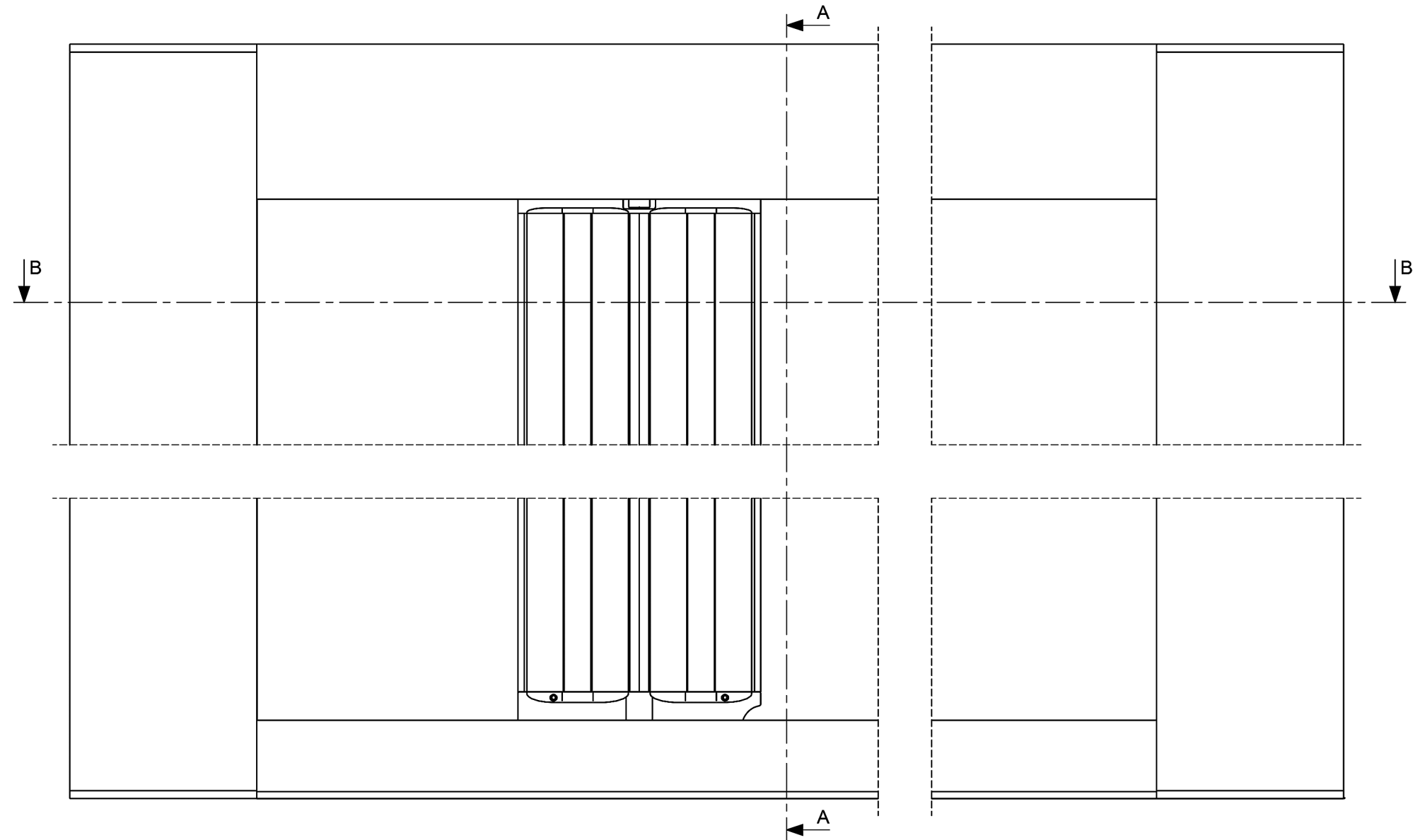
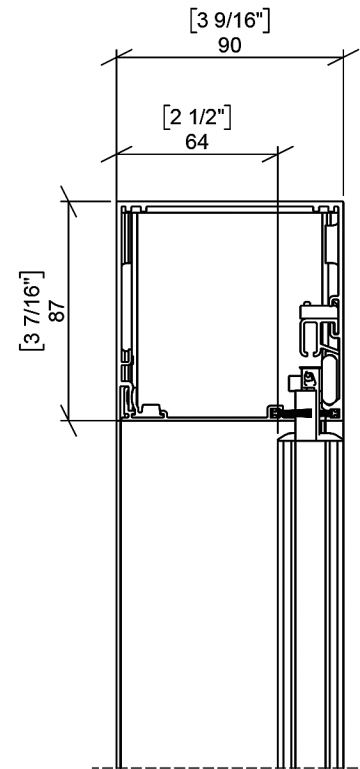


Inside



SECTION B-B  
SCALE 1 : 3



Outside

Inside

[1 3/4\"/>

SECTION A-A  
SCALE 1 : 3