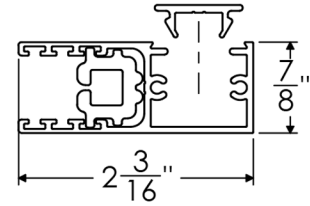
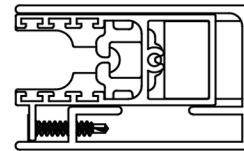


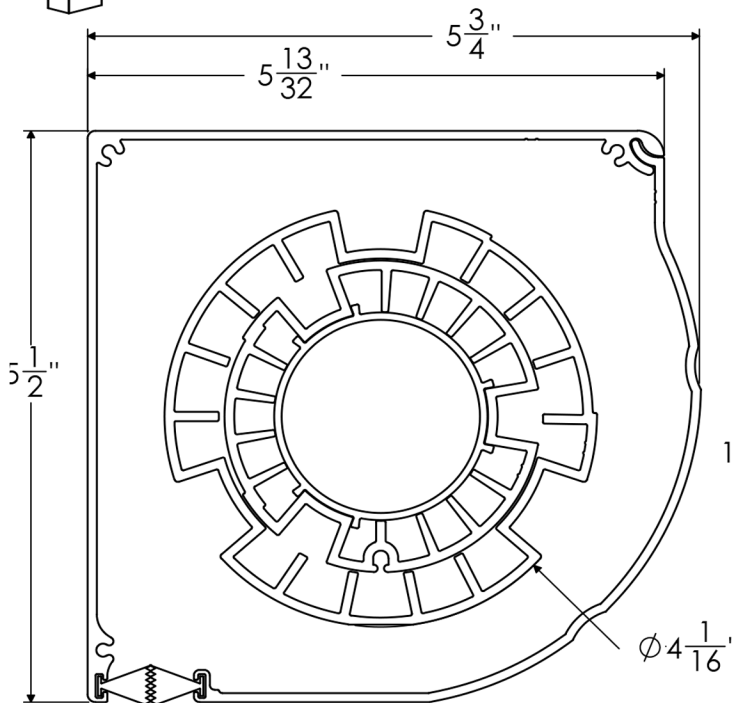
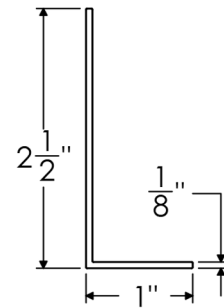
**Surface or Inset Mount  
Side Track**



**Recessed Side Track  
(Preconstruction)**

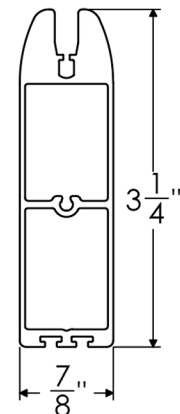
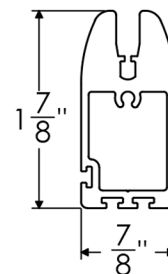


**"L" Mounting Bracket  
(optional)**



**Tall Hem Bar**

**Hem Bar**



**SRS Series 5 Housing**