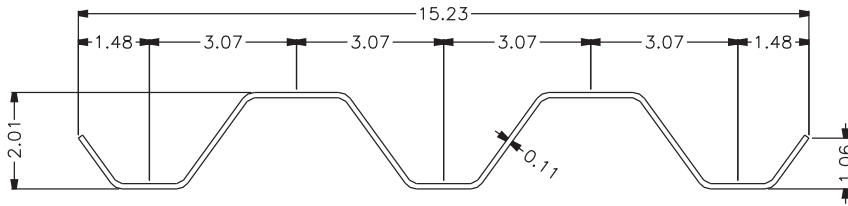


VUSAFE™ PANEL

Item: 800

Material: Bayer Macrolon Polycarbonate 3103

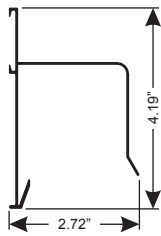
Scale: 3":1'



Ultra-H™ Header

Item: 788

Material: 6063-T6 Aluminum



Ultra-F™ Track

Item: 785

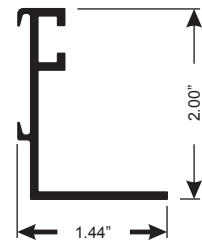
Material: 6063-T6 Aluminum



Ultra-LF™ Sill

Item: 784A

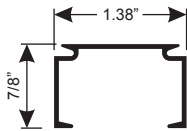
Material: 6063-T6 Aluminum



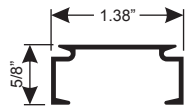
Buildup

Item: 758

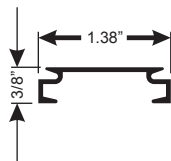
Material: 6063-T6 Aluminum



Item: 761



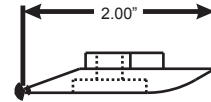
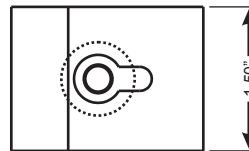
Item: 786



Panel Clip™

Item: H15

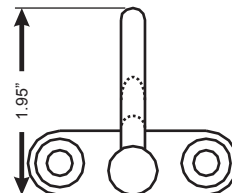
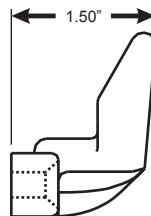
Material: Bayer Macrolon Polycarbonate 3103



Hurricane Hook™

Item: H16

Material: Bayer Macrolon Polycarbonate 3103



350 KIDDS HILL ROAD
HYANNIS, MA 02601
(888)232-2331
VUSAFE.COM

MAY 15, 2008

SHEET 1 OF 10

**VUSAFE STORM PANELS
INSTALLATION METHODS**

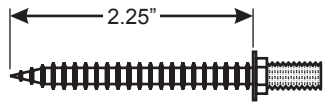
**FOR USE
UP TO DP50**

HARDWARE

COPYRIGHT © 2008 VUSAFE INDUSTRIES, LLC. ALL RIGHTS RESERVED.

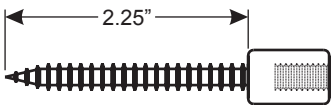
PanelMate - Male

Item: H1



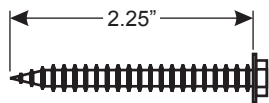
PanelMate - Female

Item: H2



Tapcon

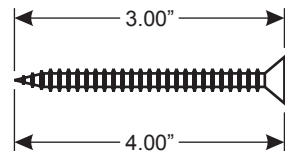
Item: H14



Wood Screw - Flat Head

Item: H3-3

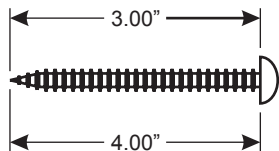
Item: H3-4



Wood Screw - Pan Head

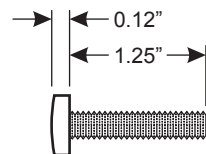
Item: H4-3

Item: H4-4



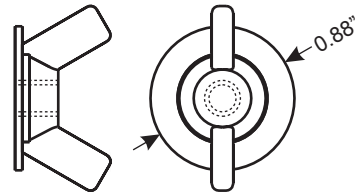
Track Bolt

Item: H5



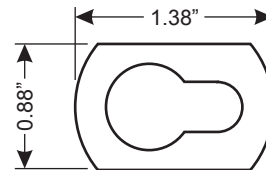
Washer Wing Nut

Item: H8



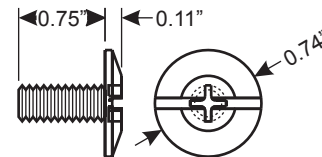
Keyhole Washer

Item: H9



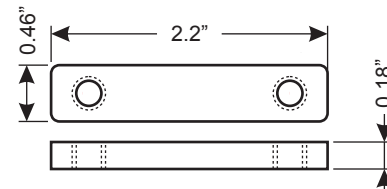
Sidewalk Bolt

Item: H10



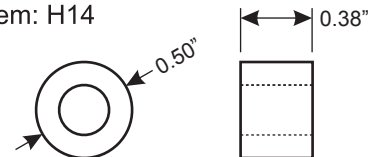
Track Nut

Item: H13



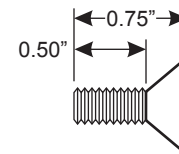
Stitch Washer

Item: H14



Flat Head Screw

Item: H6



350 KIDDS HILL ROAD
HYANNIS, MA 02601
(888)232-2331
VUSAFE.COM

MAY 15, 2008

SHEET 2 OF 10

**VUSAFE STORM PANELS
INSTALLATION METHODS**

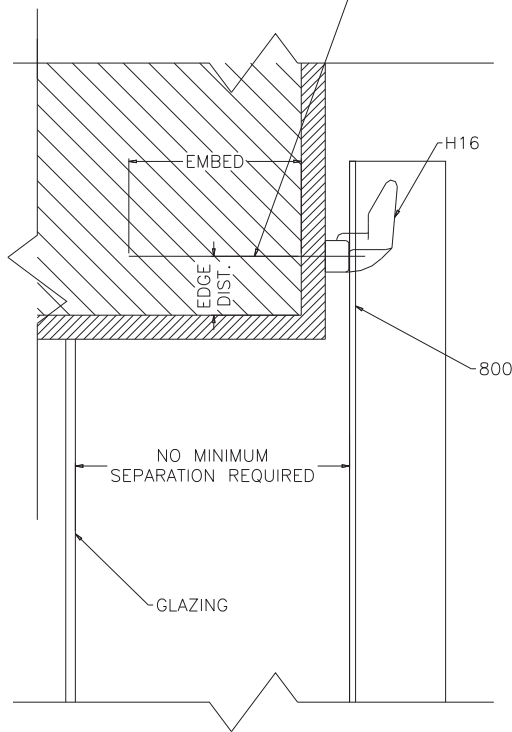
**FOR USE
UP TO DP50**

ANCHORS

COPYRIGHT © 2008 VUSAFE INDUSTRIES, LLC. ALL RIGHTS RESERVED.

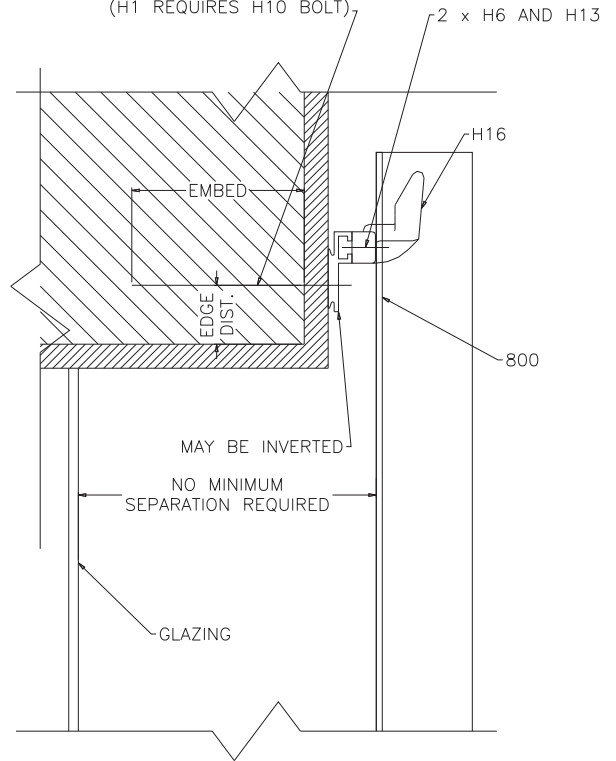
T1

CONNECTION: H2, H3-3 OR H3-4 AS REQUIRED FOR EMBED DISTANCE (H2 REQUIRES H6 SCREW)



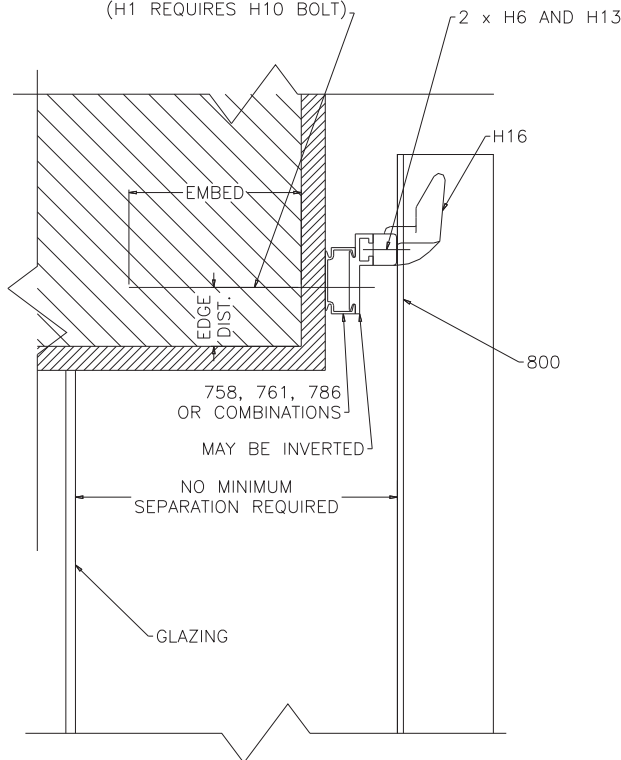
T2

CONNECTION: H1, H4-3 OR H4-4 AS REQUIRED FOR EMBED DISTANCE (H1 REQUIRES H10 BOLT)



T3

CONNECTION: H1, H4-3 OR H4-4 AS REQUIRED FOR EMBED DISTANCE (H1 REQUIRES H10 BOLT)



350 KIDDS HILL ROAD
HYANNIS, MA 02601
(888)232-2331
VUSAFE.COM

SCALE: 3"=1'

MAY 15, 2008

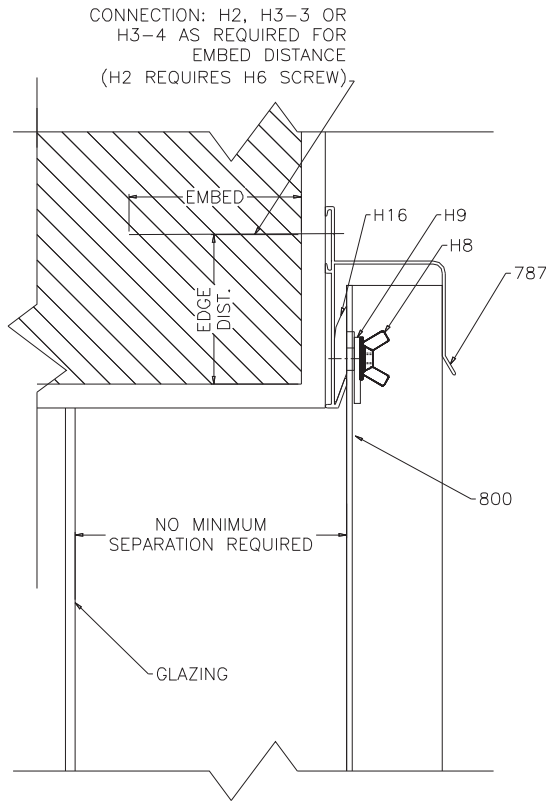
SHEET 3 OF 10

**VUSAFE STORM PANELS FOR USE
INSTALLATION METHODS UP TO DP50**

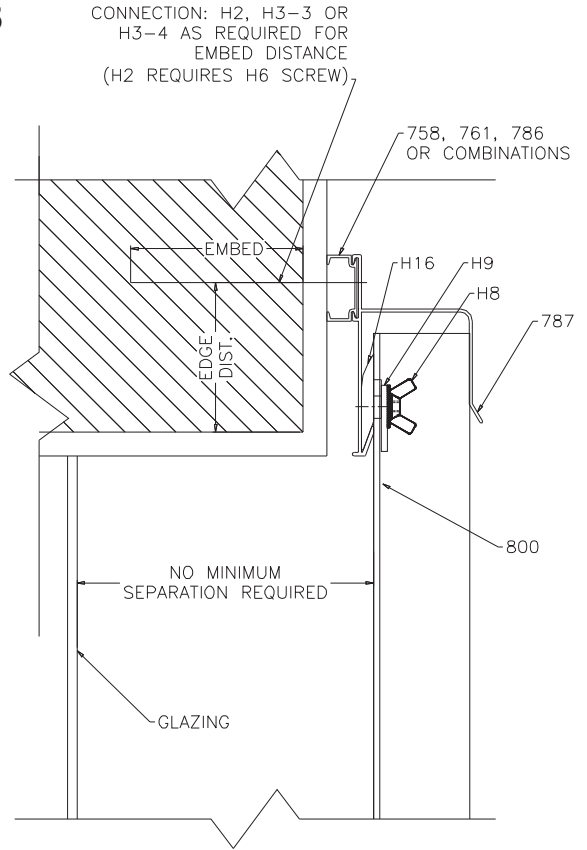
TOP CONNECTIONS - HURRICANE HOOK™

COPYRIGHT © 2008 VUSAFE INDUSTRIES, LLC. ALL RIGHTS RESERVED.

T4



T5



350 KIDDS HILL ROAD
 HYANNIS, MA 02601
 (888)232-2331
 VUSAFE.COM

SCALE: 3"=1'

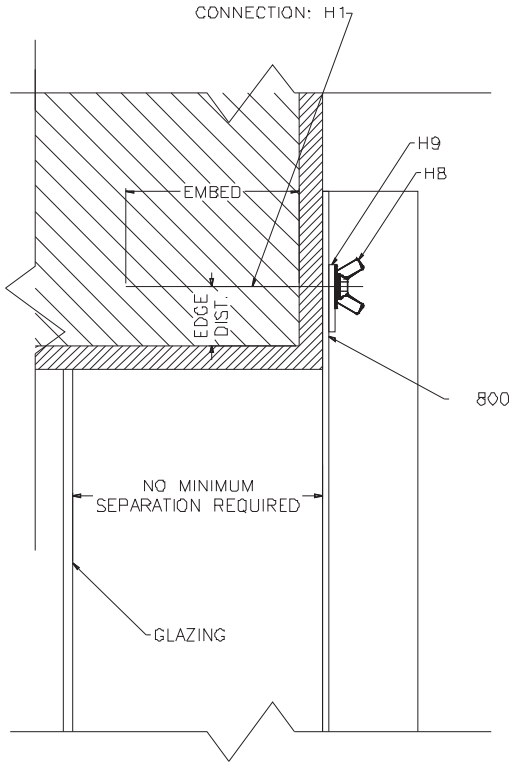
MAY 15, 2008

SHEET 4 OF 10

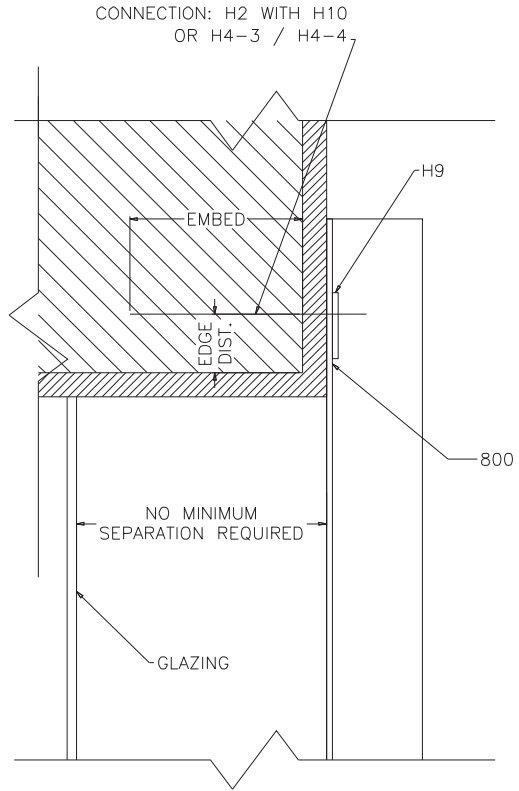
**VUSAFE STORM PANELS FOR USE
 INSTALLATION METHODS UP TO DP50
 TOP CONNECTIONS -
 HEAD RETENTION SYSTEM™**

COPYRIGHT © 2008 VUSAFE INDUSTRIES, LLC. ALL RIGHTS RESERVED.

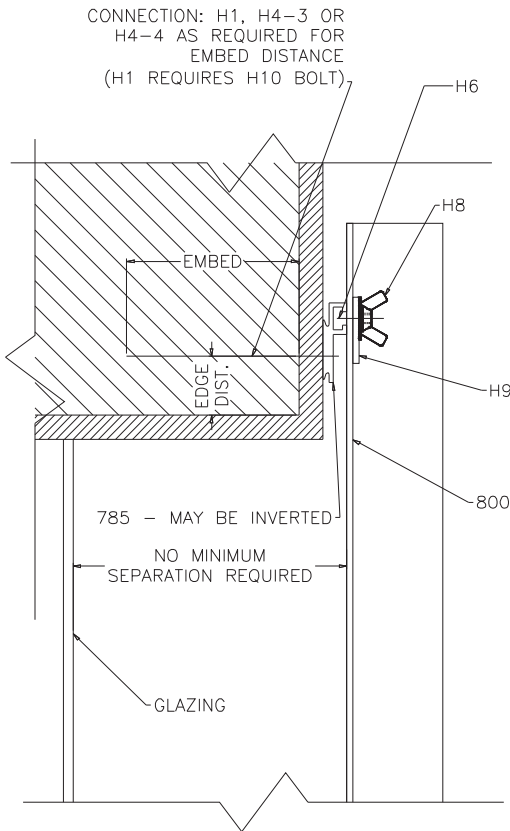
T6



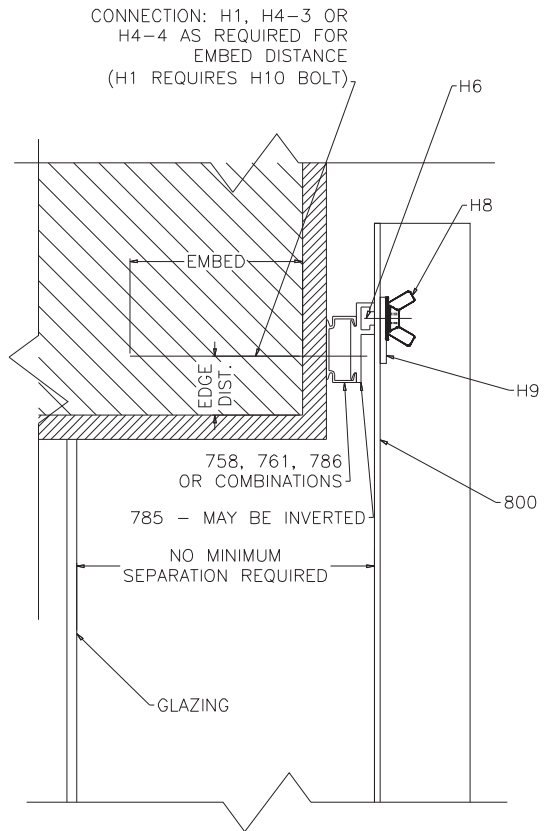
T7



T8



T9



350 KIDDS HILL ROAD
 HYANNIS, MA 02601
 (888)232-2331
 VUSAFE.COM

SCALE: 3"=1'

MAY 15, 2008

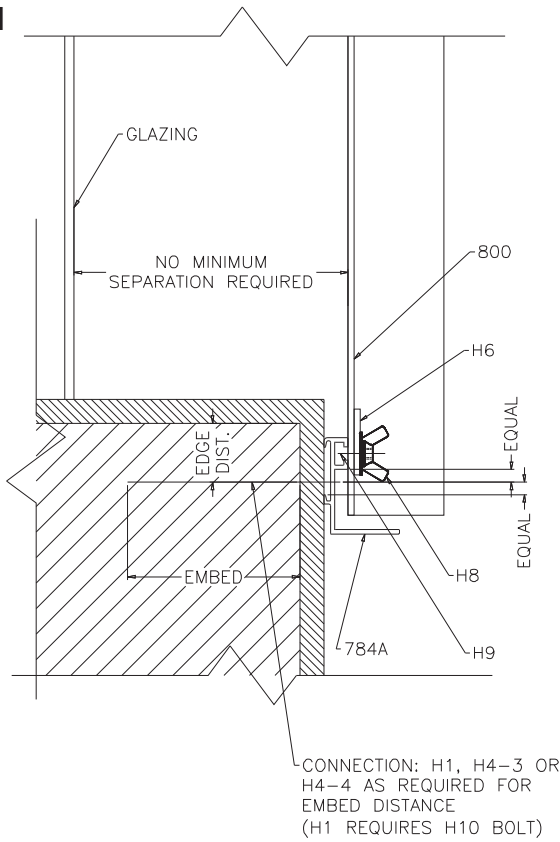
SHEET 5 OF 10

VUSAFE STORM PANELS FOR USE INSTALLATION METHODS UP TO DP50

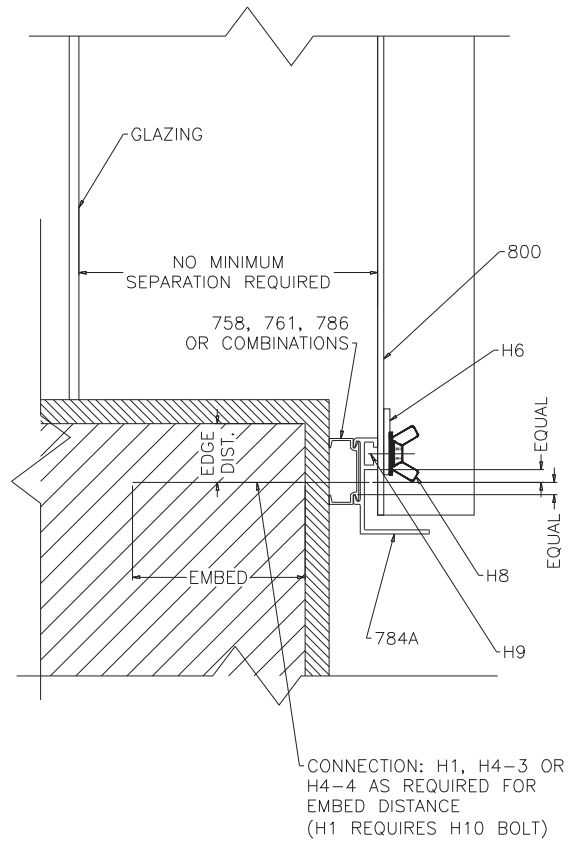
TOP CONNECTIONS - DIRECT

COPYRIGHT © 2008 VUSAFE INDUSTRIES, LLC. ALL RIGHTS RESERVED.

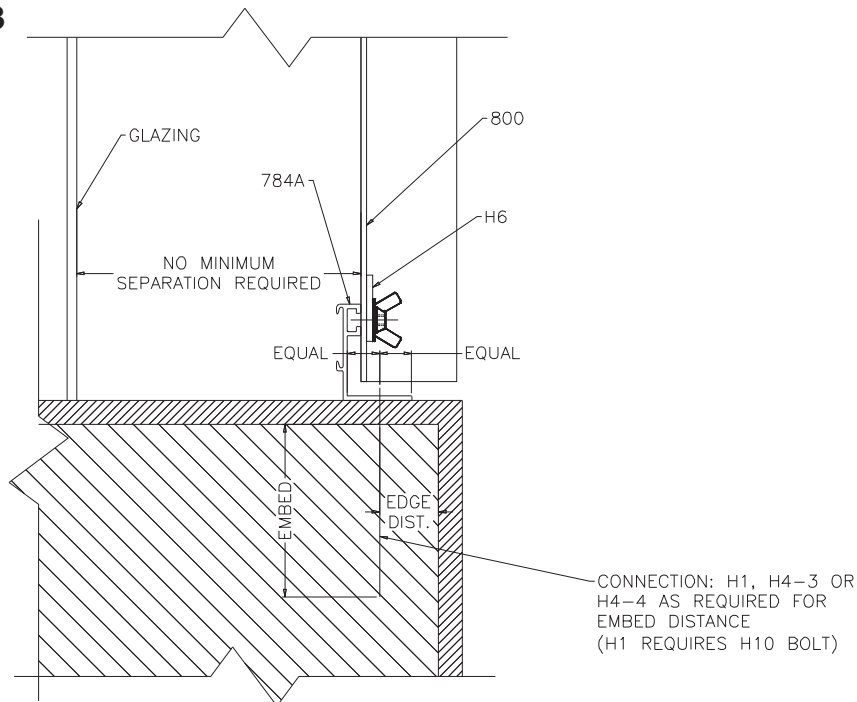
B1



B2



B3



350 KIDDS HILL ROAD
 HYANNIS, MA 02601
 (888)232-2331
 VUSAFE.COM

SCALE: 3"=1'

MAY 15, 2008

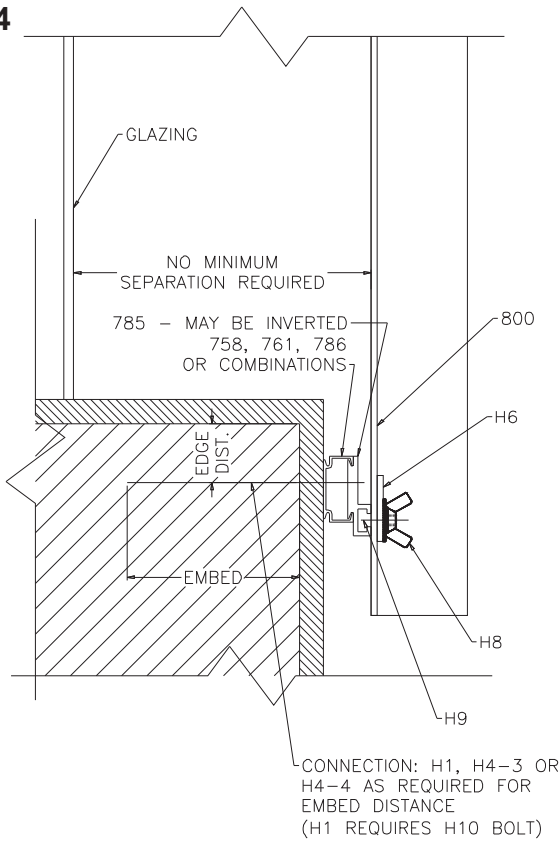
SHEET 6 OF 10

**VUSAFE STORM PANELS FOR USE
 INSTALLATION METHODS UP TO DP50**

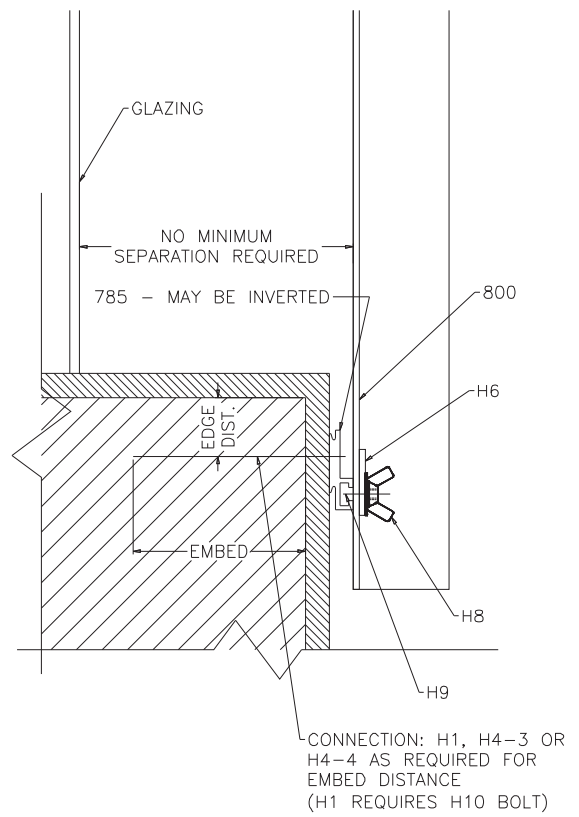
BOTTOM CONNECTIONS - LF SILL

COPYRIGHT © 2008 VUSAFE INDUSTRIES, LLC. ALL RIGHTS RESERVED.

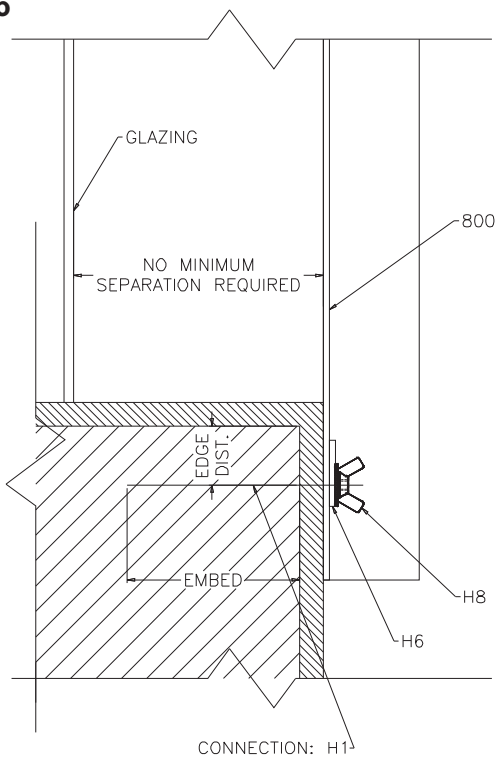
B4



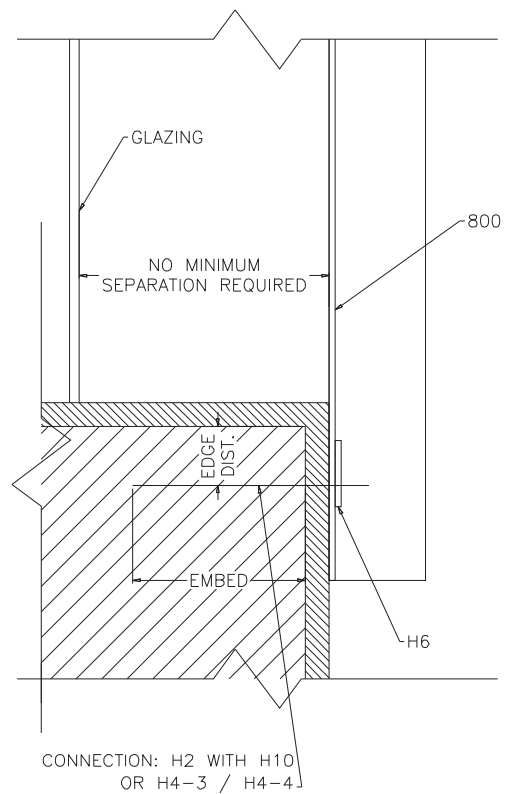
B5



B6



B7



350 KIDDS HILL ROAD
HYANNIS, MA 02601
(888)232-2331
VUSAFE.COM

SCALE: 3"=1'

MAY 15, 2008

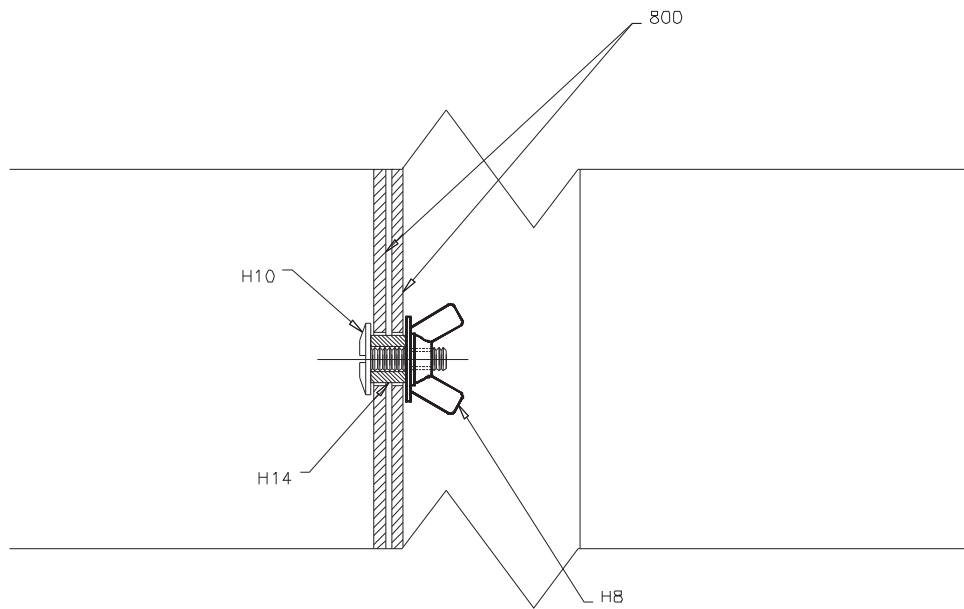
SHEET 7 OF 10

**VUSAFE STORM PANELS
INSTALLATION METHODS**

**FOR USE
UP TO DP50**

BOTTOM CONNECTIONS - DIRECT

COPYRIGHT © 2008 VUSAFE INDUSTRIES, LLC. ALL RIGHTS RESERVED.



350 KIDDS HILL ROAD
 HYANNIS, MA 02601
 (888)232-2331
 VUSAFE.COM

SCALE: 6"=1'

MAY 15, 2008




SHEET 8 OF 10

**VUSAFE STORM PANELS FOR USE
 INSTALLATION METHODS UP TO DP50**



PANEL STITCH™

COPYRIGHT © 2008 VUSAFE INDUSTRIES, LLC. ALL RIGHTS RESERVED.


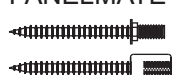
Wood Host Structure - 3/4" Minimum Edge Distance

	MAX. ANCHOR DISTANCE O.C.	MIN. ANCHOR DISTANCE O.C.	MIN. ANCHOR EMBEDMENT
TAPCON 	8" *	1-1/2" *	1-1/2"
PANELMATE 	8" *	1-1/2" *	1-7/8"
WOOD SCREW 	8" *	1-1/2" *	1-7/8"

Hollow Block Host Structure - 2" Minimum Edge Distance

	MAX. ANCHOR DISTANCE O.C.	MIN. ANCHOR DISTANCE O.C.	MIN. ANCHOR EMBEDMENT
TAPCON 	8" *	1-1/2" *	1-1/4"
PANELMATE 	8" *	1-1/2" *	1-1/4"

Concrete Host Structure - 2" Minimum Edge Distance

	MAX. ANCHOR DISTANCE O.C.	MIN. ANCHOR DISTANCE O.C.	MIN. ANCHOR EMBEDMENT
TAPCON 	8" *	1-1/2" *	1-3/4"
PANELMATE 	8" *	1-1/2" *	1-3/4"

* WHEN USED DIRECTLY FOR REMOVABLE INSTALLATIONS (I.E. T6, T7, B6, B7) ANCHORS MUST BE AT ACTUAL CENTER DISTANCE OF PANEL KEYHOLES.



350 KIDDS HILL ROAD
HYANNIS, MA 02601
(888)232-2331
VUSAFE.COM

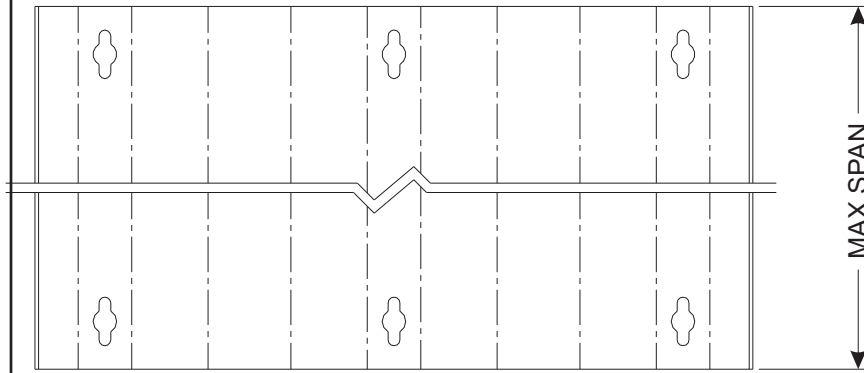
MAY 15, 2008

SHEET 9 OF 10

VUSAFE STORM PANELS FOR USE INSTALLATION METHODS UP TO DP50 ANCHOR SCHEDULE

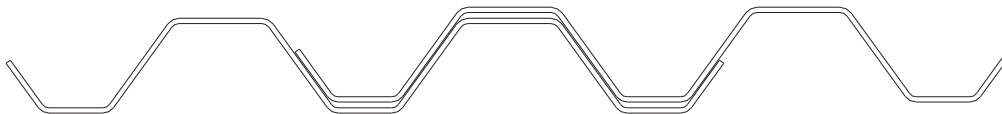
COPYRIGHT © 2008 VUSAFE INDUSTRIES, LLC. ALL RIGHTS RESERVED.

Maximum Span



		BOTTOM CONNECTION						
		B1	B2	B3	B4	B5	B6	B7
TOP CONNECTION	T1	108"	108"	108"	108"	108"	108"	108"
	T2	108"	108"	108"	108"	108"	108"	108"
	T3	108"	108"	108"	108"	108"	108"	108"
	T4	86"	86"	86"	86"	86"	86"	86"
	T4-STITCH	108"	108"	108"	108"	108"	108"	108"
	T5	86"	86"	86"	86"	86"	86"	86"
	T5-STITCH	108"	108"	108"	108"	108"	108"	108"
	T6	108"	108"	108"	108"	108"	108"	108"
	T7	108"	108"	108"	108"	108"	108"	108"
T8	108"	108"	108"	108"	108"	108"	108"	
T9	108"	108"	108"	108"	108"	108"	108"	

Half-Panel Overlap



Overlap



Panel Width



350 KIDDS HILL ROAD
HYANNIS, MA 02601
(888)232-2331
VUSAFE.COM

MAY 15, 2008

SHEET 10 OF 10

**VUSAFE STORM PANELS FOR USE
INSTALLATION METHODS UP TO DP50**

PANEL SCHEDULE

COPYRIGHT © 2008 VUSAFE INDUSTRIES, LLC. ALL RIGHTS RESERVED.