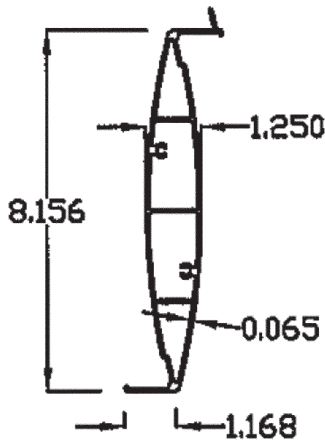


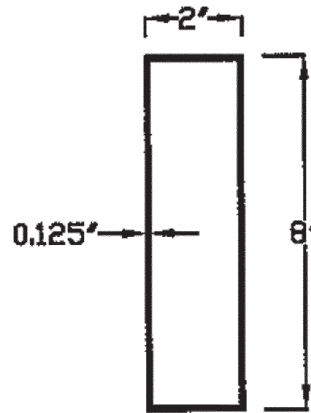
LOUVER SPANS FOR COMMERCIAL AND PATIO STRUCTURES

Ground Snow Load (psf)	Roof Design Load (psf)	Louver Description	Wind Speed and Exposure													
			Exposure B							Exposure C						
			110	115	130	140	150	160	170	110	115	130	140	150	160	170
10 LIVE	10	Extruded Alum Louver (Detail B)	14'-0"	14'-0"	14'-0"	14'-0"	14'-0"	13'-5"	12'-11"	14'-0"	14'-0"	14'-0"	13'-1"	12'-6"	12'-0"	11'-6"
20 LIVE	20	Extruded Alum Louver (Detail B)	14'-0"	14'-0"	14'-0"	14'-0"	14'-0"	13'-5"	12'-11"	14'-0"	14'-0"	14'-0"	13'-1"	12'-6"	12'-0"	11'-6"
25	21.0	Extruded Alum Louver (Detail B)	13'-10"	13'-3"	12'-9"	12'-6"	12'-3"	12'-0"	11'-9"	12'-9"	12'-7"	12'-6"	11'-10"	11'-6"	11'-2"	10'-8"
30	25.2	Extruded Alum Louver (Detail B)	12'-9"	12'-7"	12'-4"	12'-1"	11'-10"	11'-8"	11'-3"	12'-4"	12'-3"	12'-1"	11'-5"	11'-2"	10'-9"	10'-4"
35.7	30.0	Extruded Alum Louver (Detail B)	12'-4"	12'-3"	11'-10"	11'-8"	11'-5"	11'-2"	10'-11"	11'-10"	11'-9"	11'-8"	11'-0"	10'-8"	10'-4"	0'-0"
43	36.1	Extruded Alum Louver (Detail B)	11'-8"	11'-8"	11'-5"	11'-2"	10'-11"	10'-8"	10'-4"	11'-5"	11'-2"	11'-0"	10'-6"	0'-0"	0'-0"	0'-0"

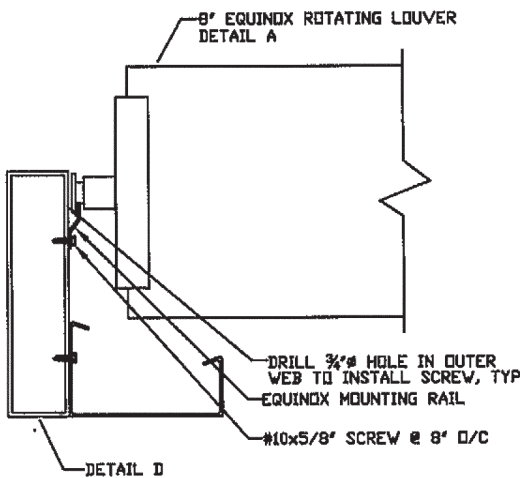
EXTRUDED 6063T5 ALUMINUM LOUVER



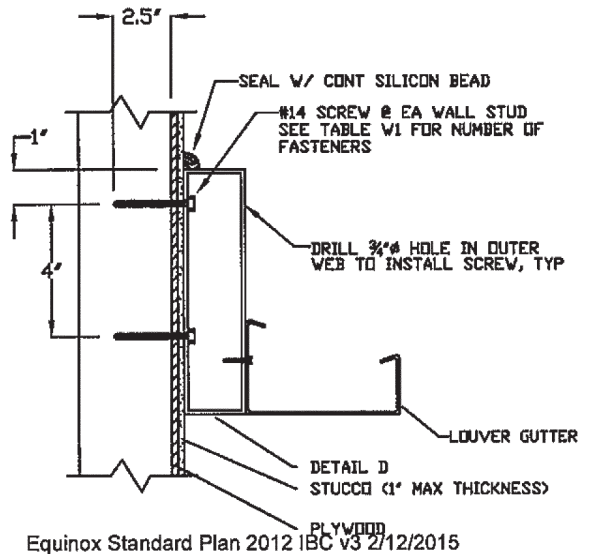
2"x8" EQUINOX HEADER AND RETURN BEAM (6061-T6 ALUM. ALLOY)



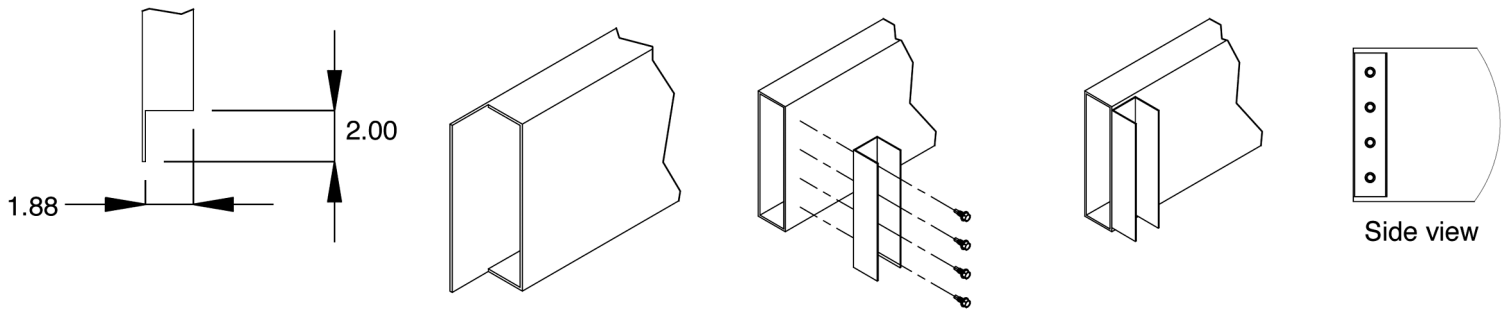
EQUINOX LOUVER TO MOUNTING RAIL TO HEADER CONNECTION



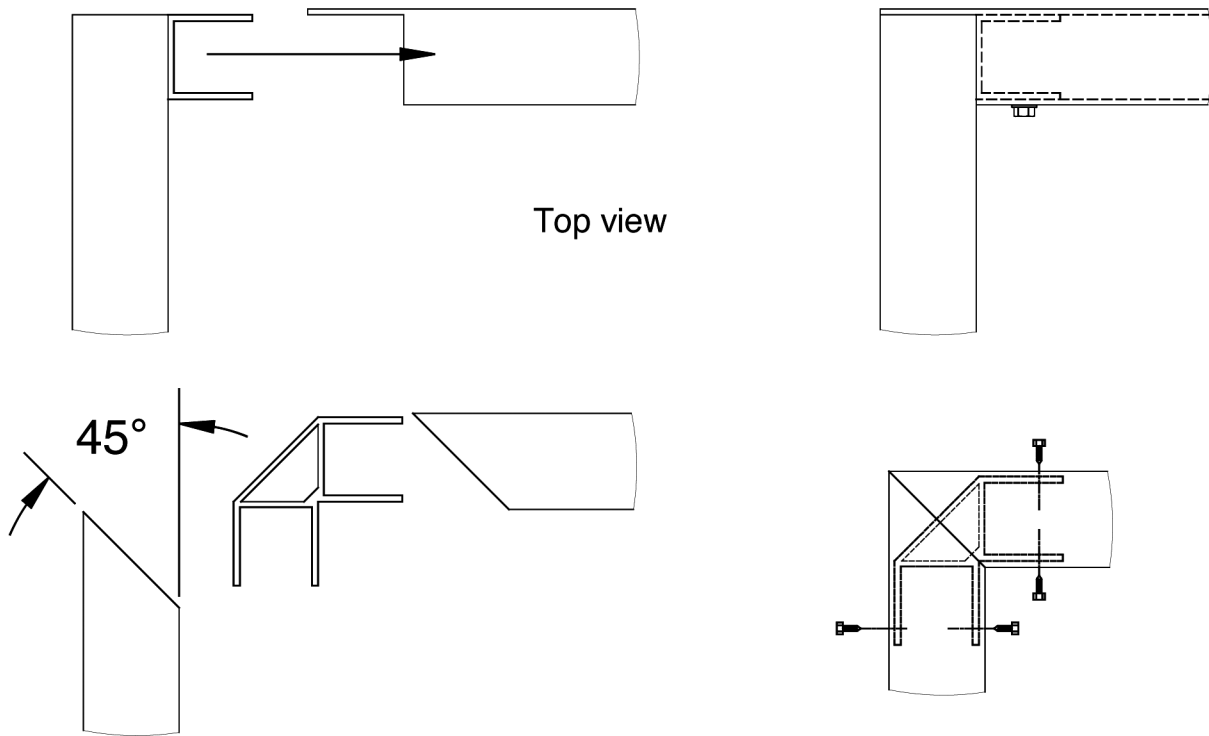
EQUINOX BEAM TO STRUCTURE CONNECTION



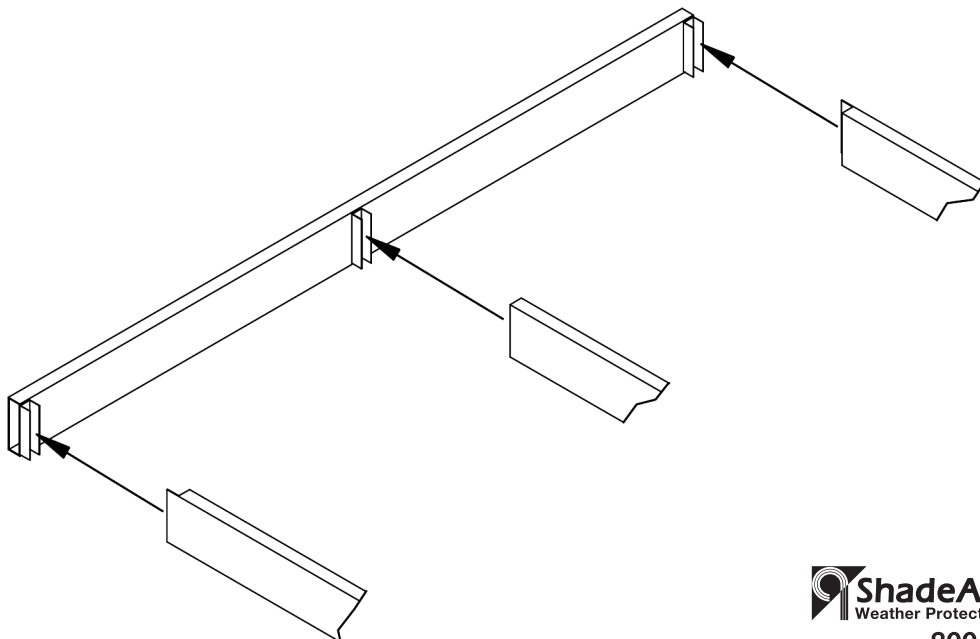
Side Beams



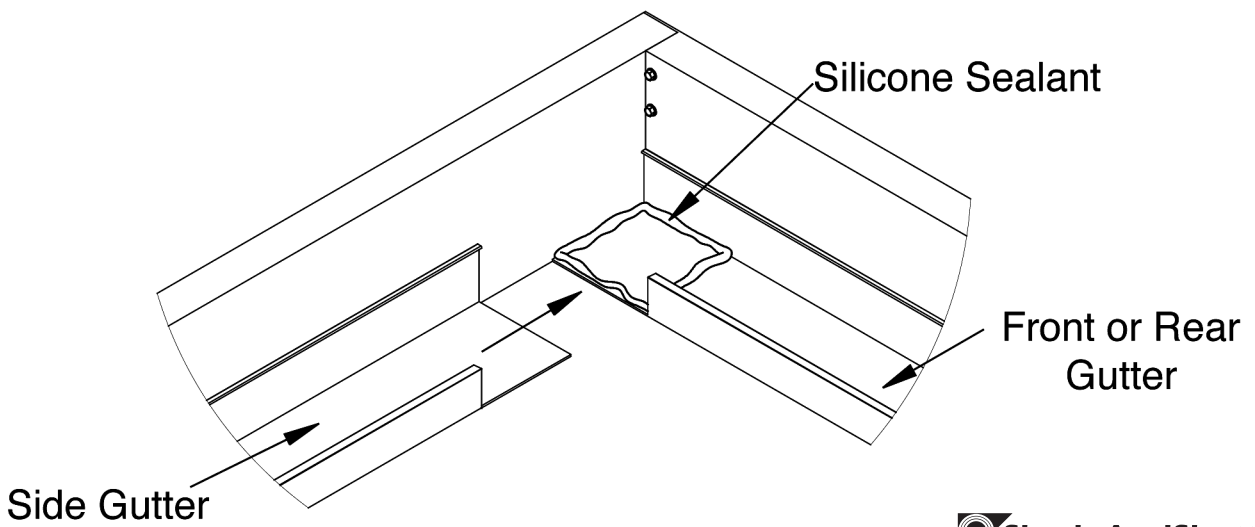
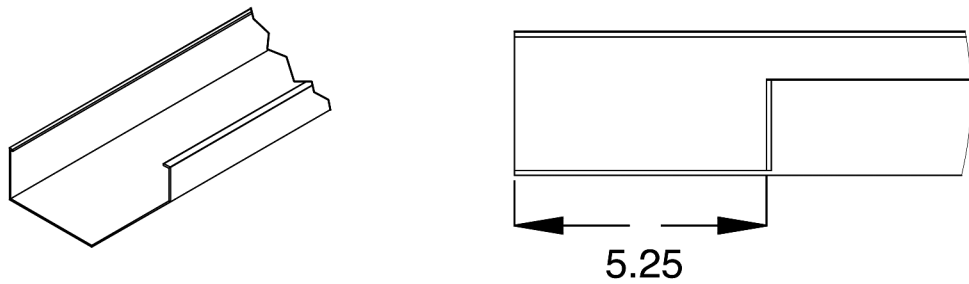
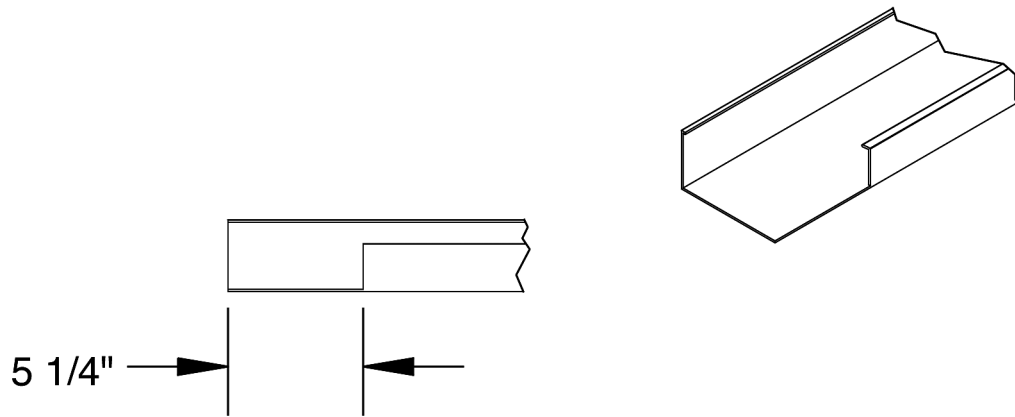
Beams



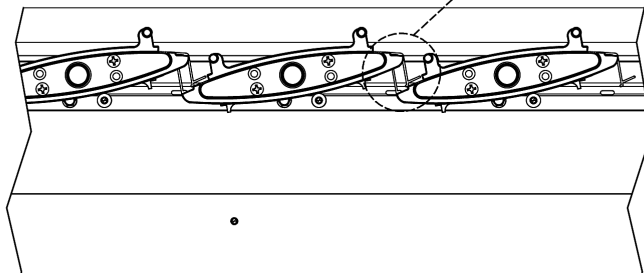
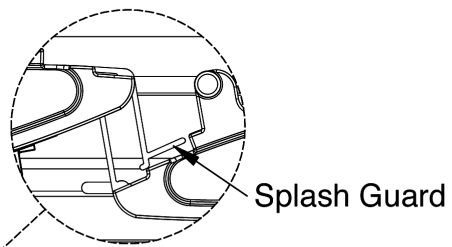
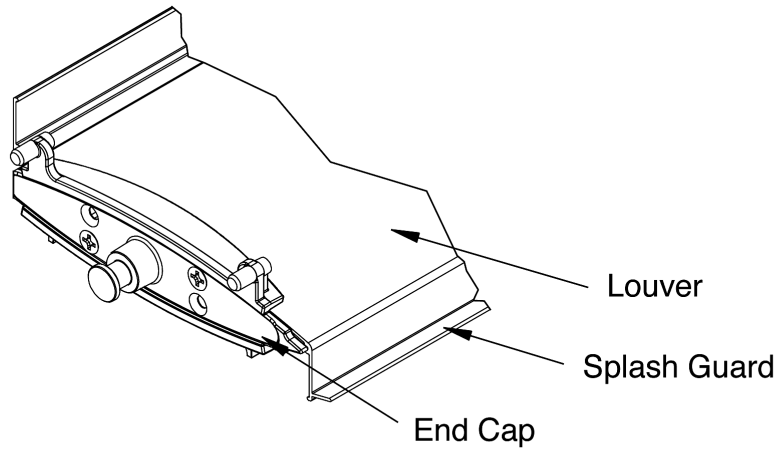
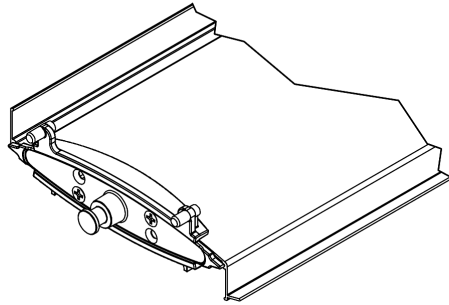
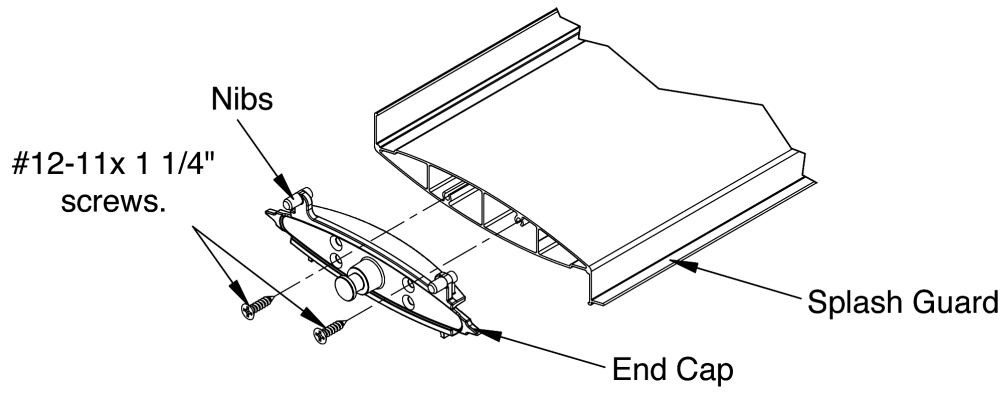
Multi-bay units



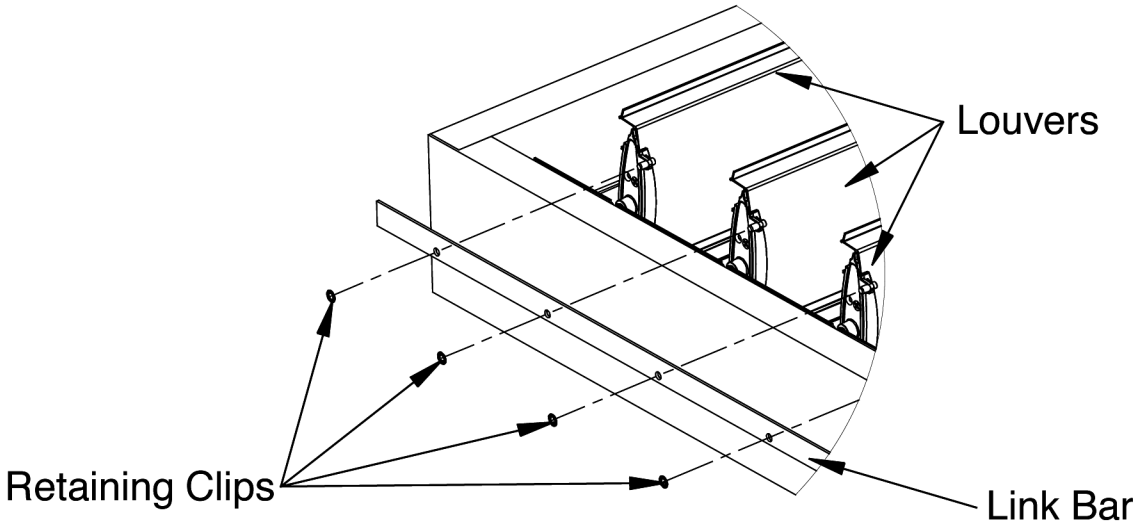
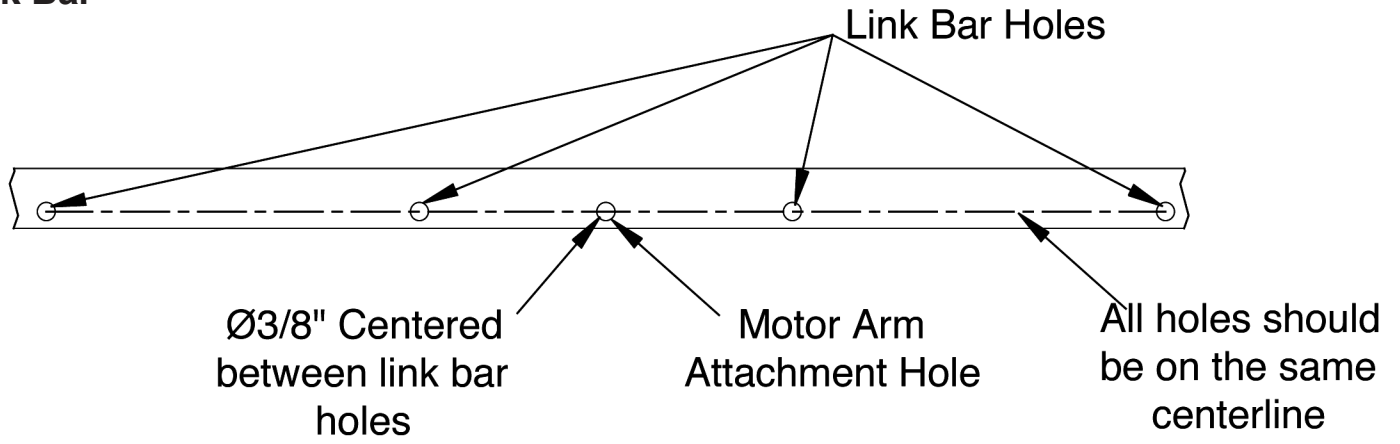
Gutters



Louver



Link Bar



Motor Mount

