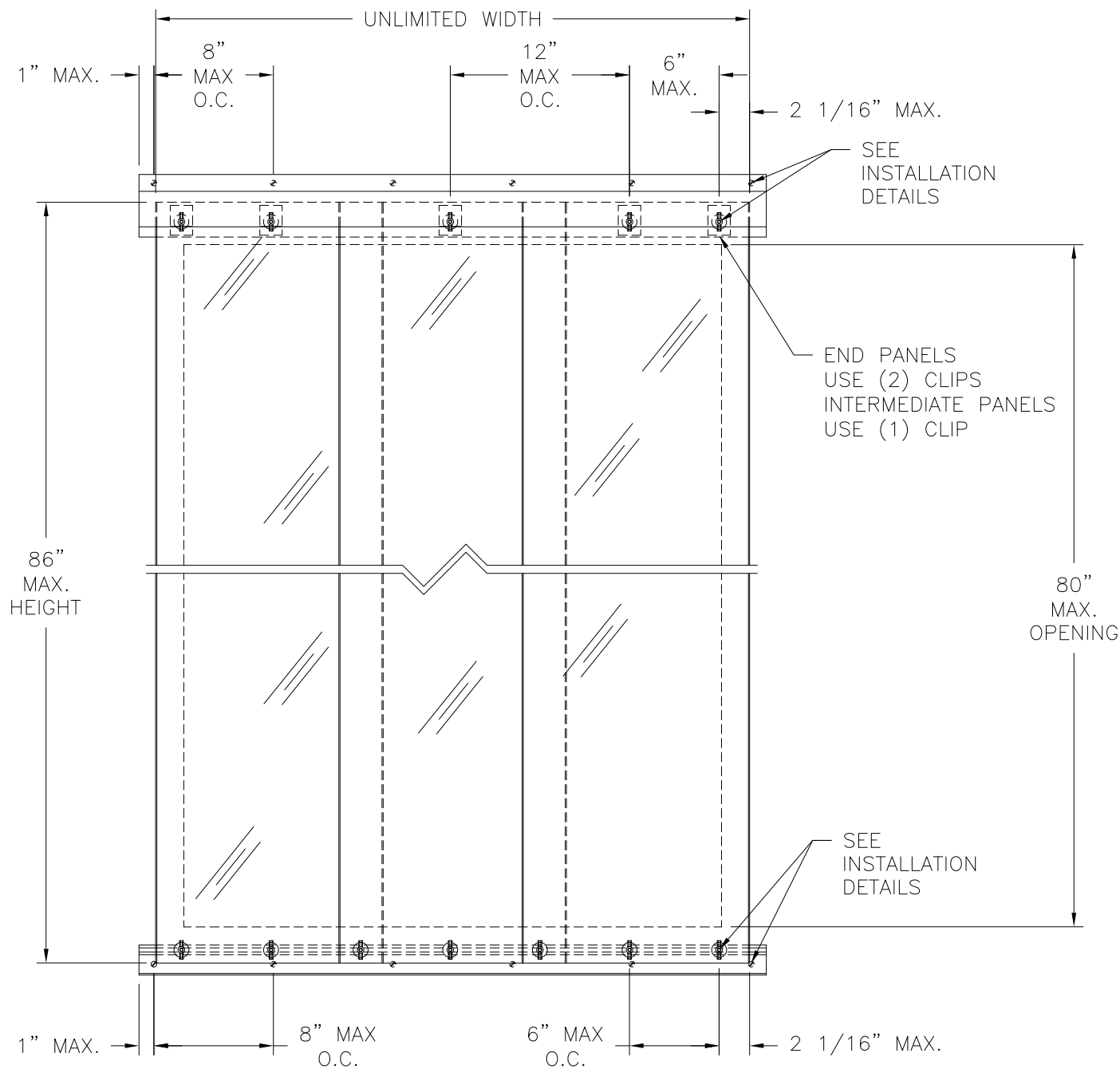


REVISIONS			
REV	DESCRIPTION	DATE	APPROVED
A	CORRECTED NOTE CALLOUT	6/30/11	R.L.
B	REVISED INSTALLATION DETAILS	6/30/11	R.L.



**STORM SHUTTER TYPE D**  
EXTERIOR VIEW

DESIGN PRESSURE RATING	IMPACT RATING
±60.0PSF	LARGE AND SMALL MISSILE IMPACT

NOTES:

1. THE PRODUCT SHOWN HEREIN IS DESIGNED AND MANUFACTURED TO COMPLY WITH REQUIREMENTS OF THE FLORIDA BUILDING CODE.
2. WOOD FRAMING AND MASONRY OPENING TO BE DESIGNED AND ANCHORED TO PROPERLY TRANSFER ALL LOADS TO STRUCTURE. FRAMING AND MASONRY OPENING IS THE RESPONSIBILITY OF THE ARCHITECT OR ENGINEER OF RECORD.
3. ALLOWABLE STRESS INCREASE OF 1/3 WAS NOT USED IN THE DESIGN OF THE PRODUCT SHOWN HEREIN. WIND LOAD DURATION FACTOR Cd=1.6 WAS USED FOR WOOD ANCHOR CALCULATIONS.
4. PANEL MATERIAL: CORRUGATED POLYCARBONATE
5. FOR ANCHORING INTO WOOD FRAMING OR 2X BUCK USE #14 WOOD SCREW WITH SUFFICIENT LENGTH TO ACHIEVE A 2" MINIMUM EMBEDMENT INTO SUBSTRATE. LOCATE ANCHORS AS SHOWN IN ELEVATIONS AND INSTALLATION DETAILS.
6. FOR ANCHORING INTO MASONRY/CONCRETE USE 1/4" ITW TAPCONS WITH SUFFICIENT LENGTH TO ACHIEVE A 1 3/4" MINIMUM EMBEDMENT INTO SUBSTRATE WITH 2 1/2" MINIMUM EDGE DISTANCE. LOCATE ANCHORS AS SHOWN IN ELEVATIONS AND INSTALLATION DETAILS.
7. FOR ANCHORING INTO BRICK VENEER USE PANELMATE TVAS WITH 2" MINIMUM EMBEDMENT. LOCATE ANCHORS AS SHOWN IN ELEVATIONS AND INSTALLATION DETAILS.
8. ALL FASTENERS TO BE CORROSION RESISTANT.
9. INSTALLATION ANCHORS SHALL BE INSTALLED IN ACCORDANCE WITH ANCHOR MANUFACTURER'S INSTALLATION INSTRUCTIONS, AND ANCHORS SHALL NOT BE USED IN SUBSTRATES WITH STRENGTHS LESS THAN THE MINIMUM STRENGTH SPECIFIED BELOW:
  - A. WOOD – MINIMUM SPECIFIC GRAVITY OF G=0.5
  - B. CONCRETE – MINIMUM COMPRESSIVE STRENGTH OF 3,192 PSI.
  - C. MASONRY – STRENGTH CONFORMANCE TO ASTM C-90, GRADE N, TYPE 1 (OR GREATER).
10. SEPARATION FROM GLASS MUST BE 6 3/4" MINIMUM.

SIGNED: 07/09/2015

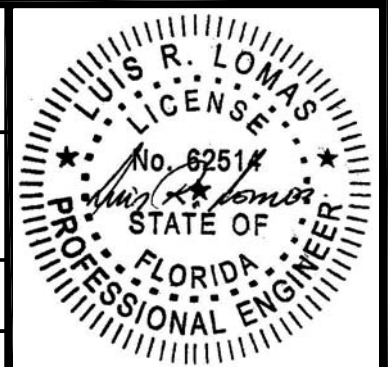


TABLE OF CONTENTS	
SHEET NO.	DESCRIPTION
1	ELEVATION AND NOTES
2 - 9	INSTALLATION DETAILS
10	COMPONENTS

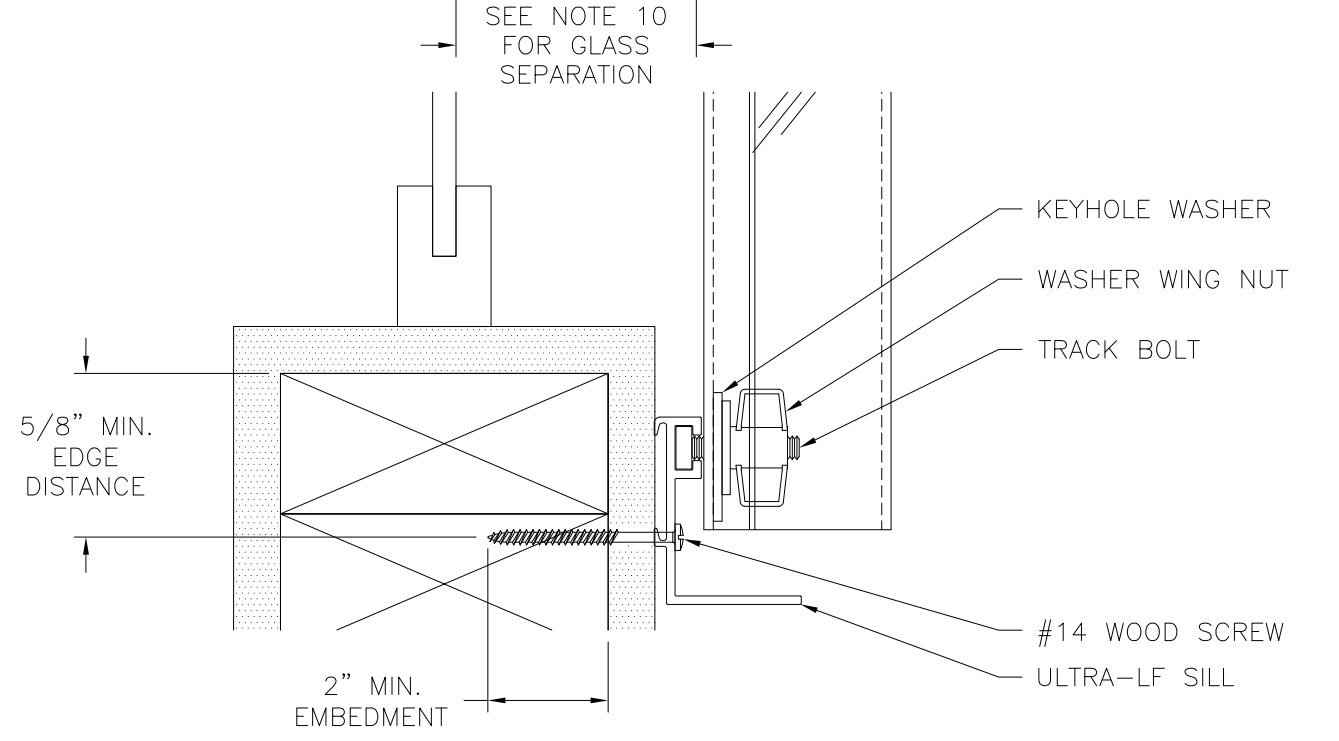
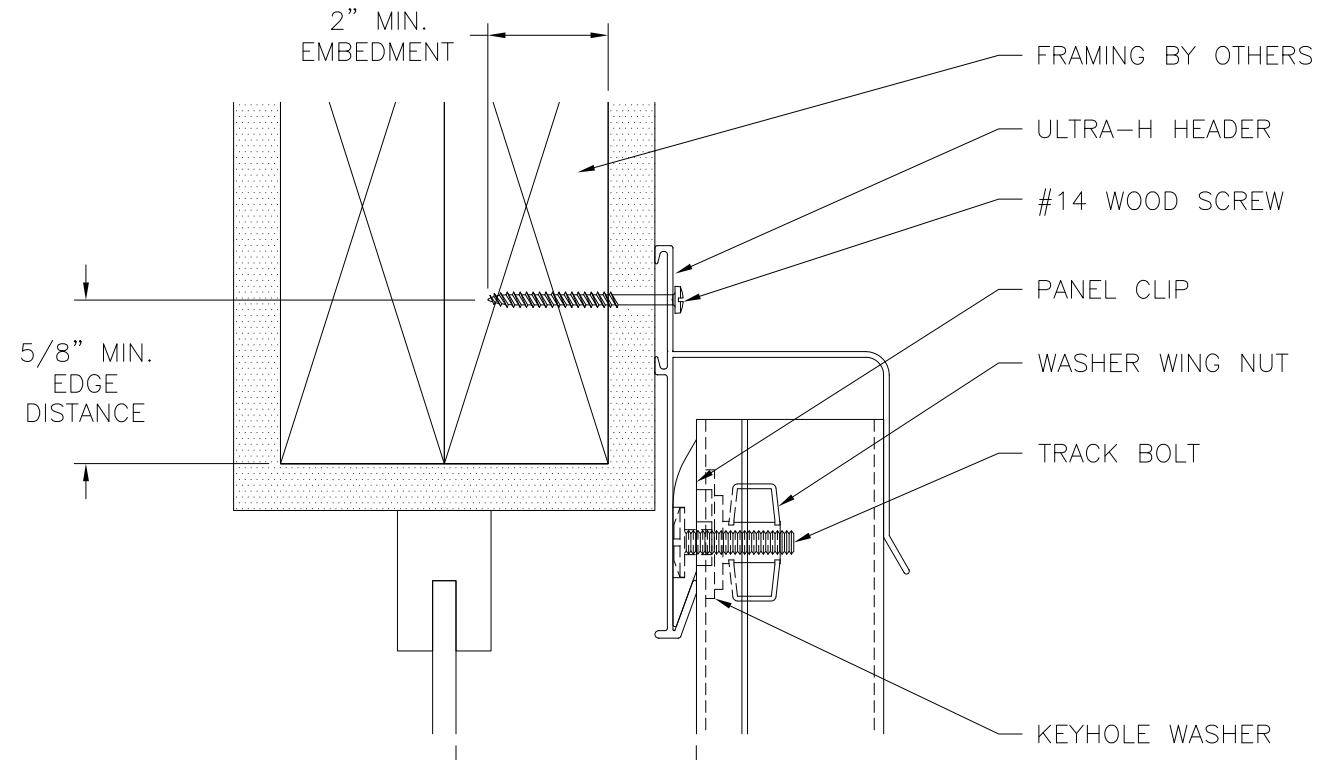
VUSAFE INDUSTRIES, LLC  
350 KIDDS HILL ROAD  
HYANNIS, MA 02601

STORM SHUTTER TYPE D  
86" HEIGHT  
ELEVATION AND NOTES

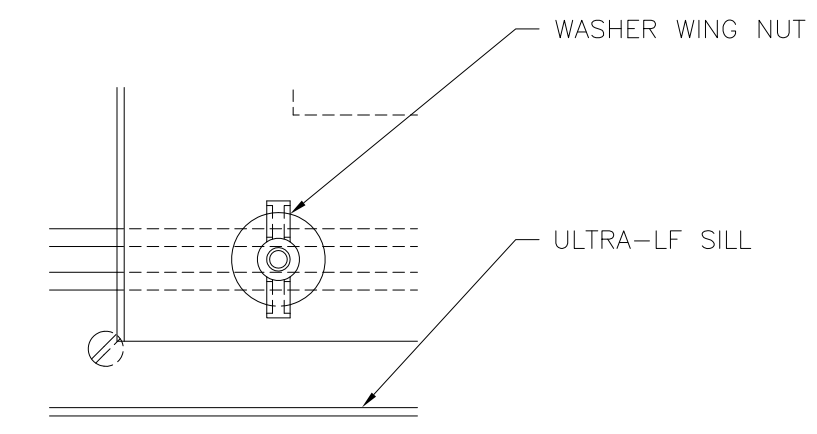
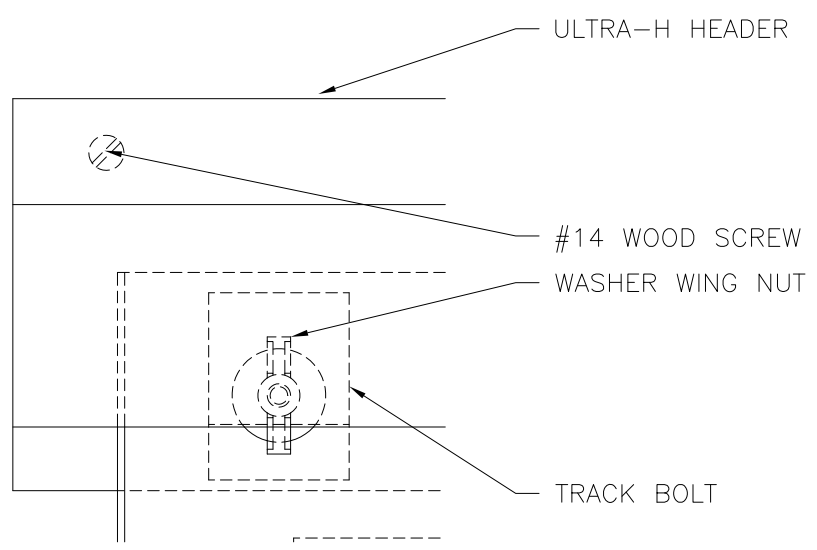
DRAWN: R.L.	DWG NO. 08-01262	REV B
SCALE NTS	DATE 06/20/11	SHEET 1 OF 10



REVISIONS			
REV	DESCRIPTION	DATE	APPROVED
A	CORRECTED NOTE CALLOUT	6/30/11	R.L.
B	REVISED INSTALLATION DETAILS	6/30/11	R.L.



**VERTICAL CROSS SECTION**  
 WOOD FRAMING INSTALLATION  
 PANEL TO OVERLAP OPENING  
 2 1/4" MIN. AT HEAD AND SILL

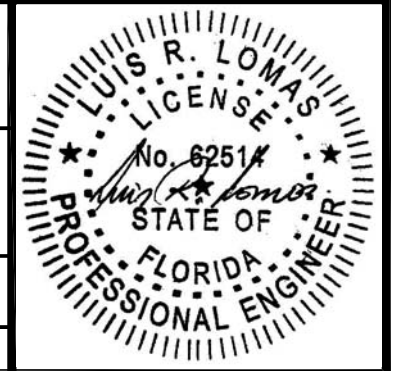


VUSAFE INDUSTRIES, LLC  
 350 KIDDS HILL ROAD  
 HYANNIS, MA 02601

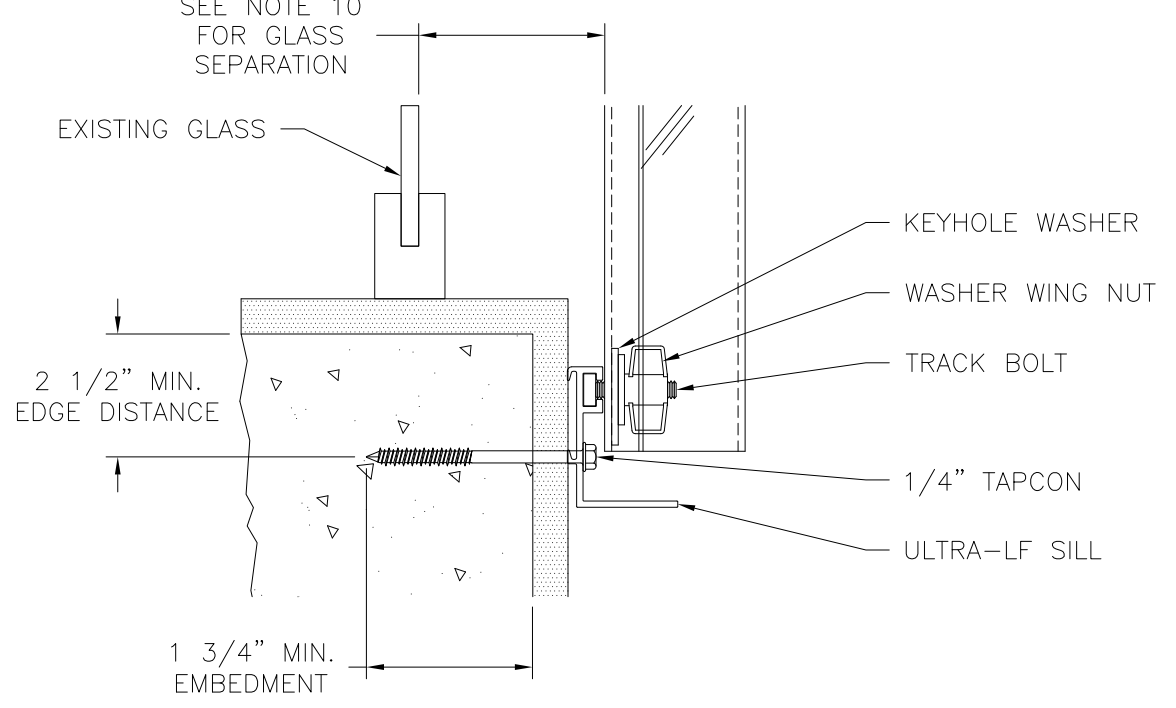
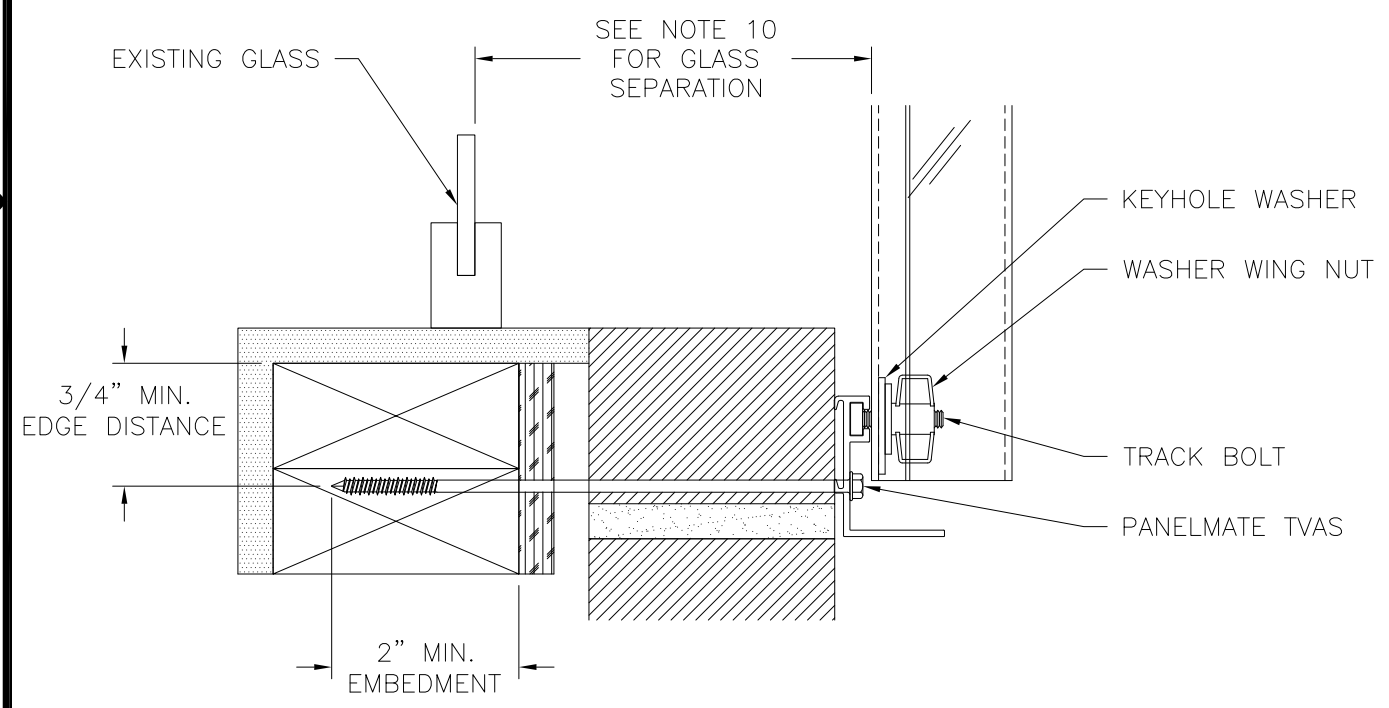
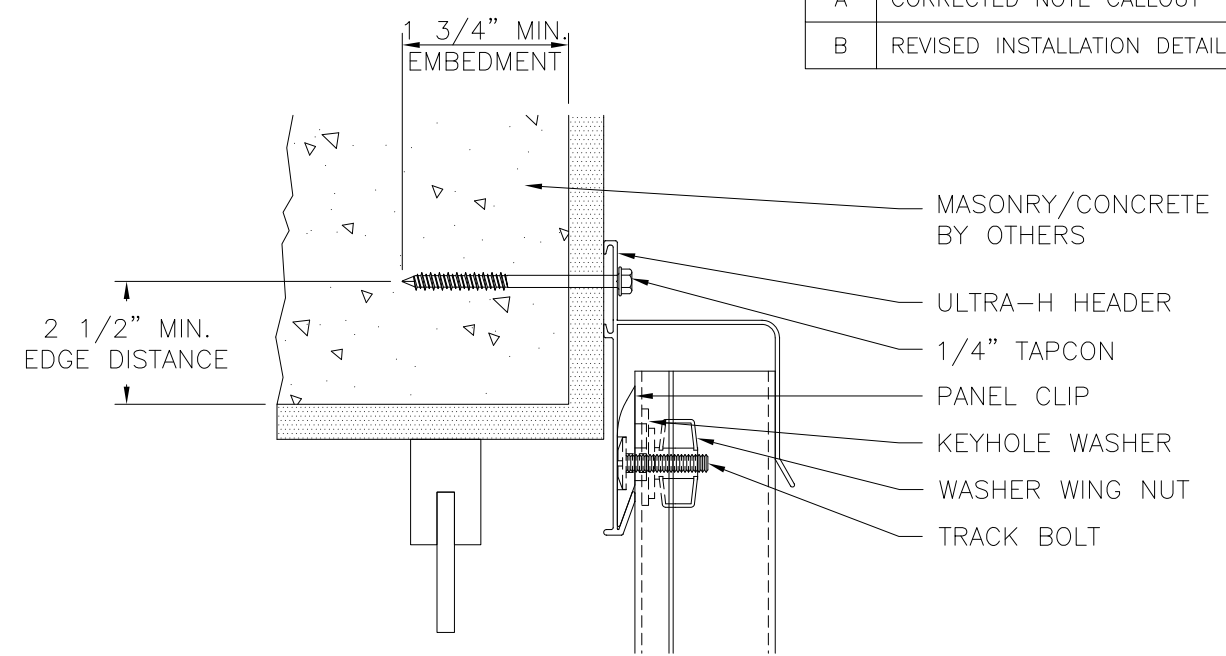
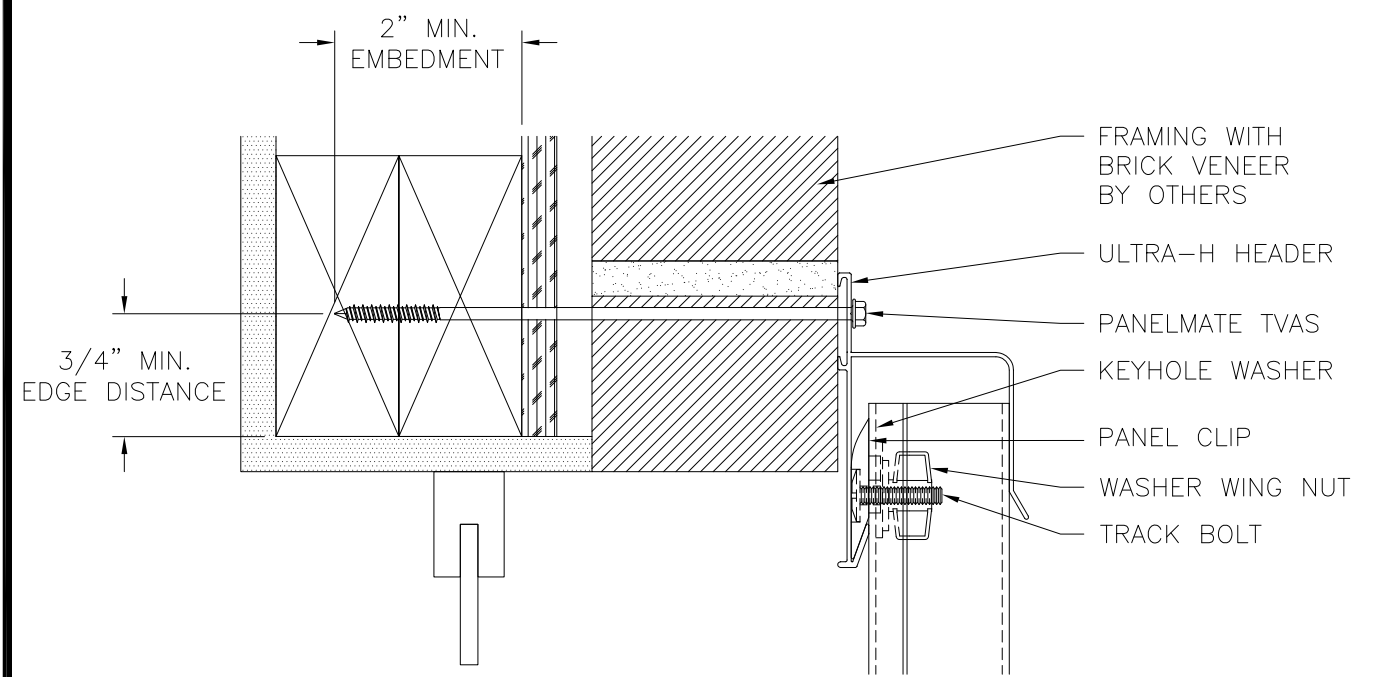
STORM SHUTTER TYPE D  
 86" HEIGHT  
 INSTALLATION DETAILS

DRAWN: R.L.	DWG NO. 08-01262	REV B
SCALE NTS	DATE 06/20/11	SHEET 2 OF 10

SIGNED: 07/09/2015



REVISIONS			
REV	DESCRIPTION	DATE	APPROVED
A	CORRECTED NOTE CALLOUT	6/30/11	R.L.
B	REVISED INSTALLATION DETAILS	7/08/15	R.L.



**VERTICAL CROSS SECTION**  
 BRICK VENEER INSTALLATION  
 PANEL TO OVERLAP OPENING  
 2 1/4" MIN. AT HEAD AND SILL

**VERTICAL CROSS SECTION**  
 MASONRY/CONCRETE INSTALLATION  
 PANEL TO OVERLAP OPENING  
 2 1/4" MIN. AT HEAD AND SILL

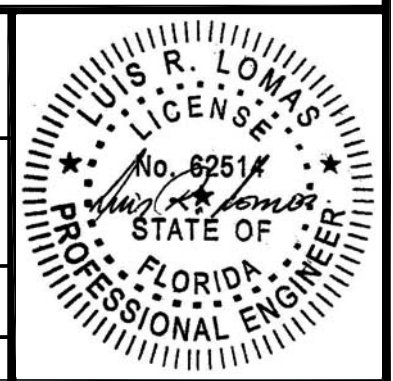
SIGNED: 07/09/2015



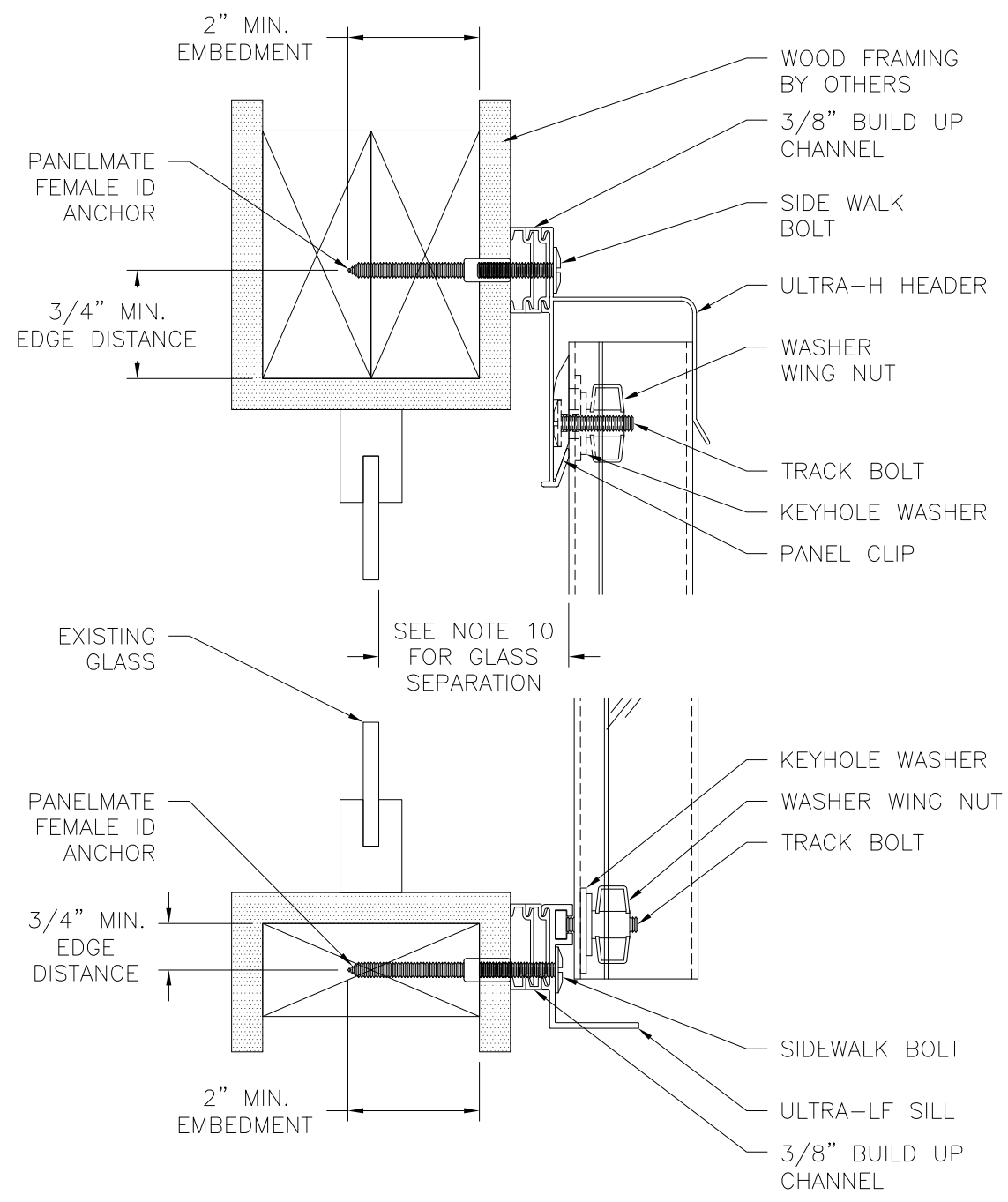
VUSAFE INDUSTRIES, LLC  
 350 KIDDS HILL ROAD  
 HYANNIS, MA 02601

STORM SHUTTER TYPE D  
 86" HEIGHT  
 INSTALLATION DETAILS

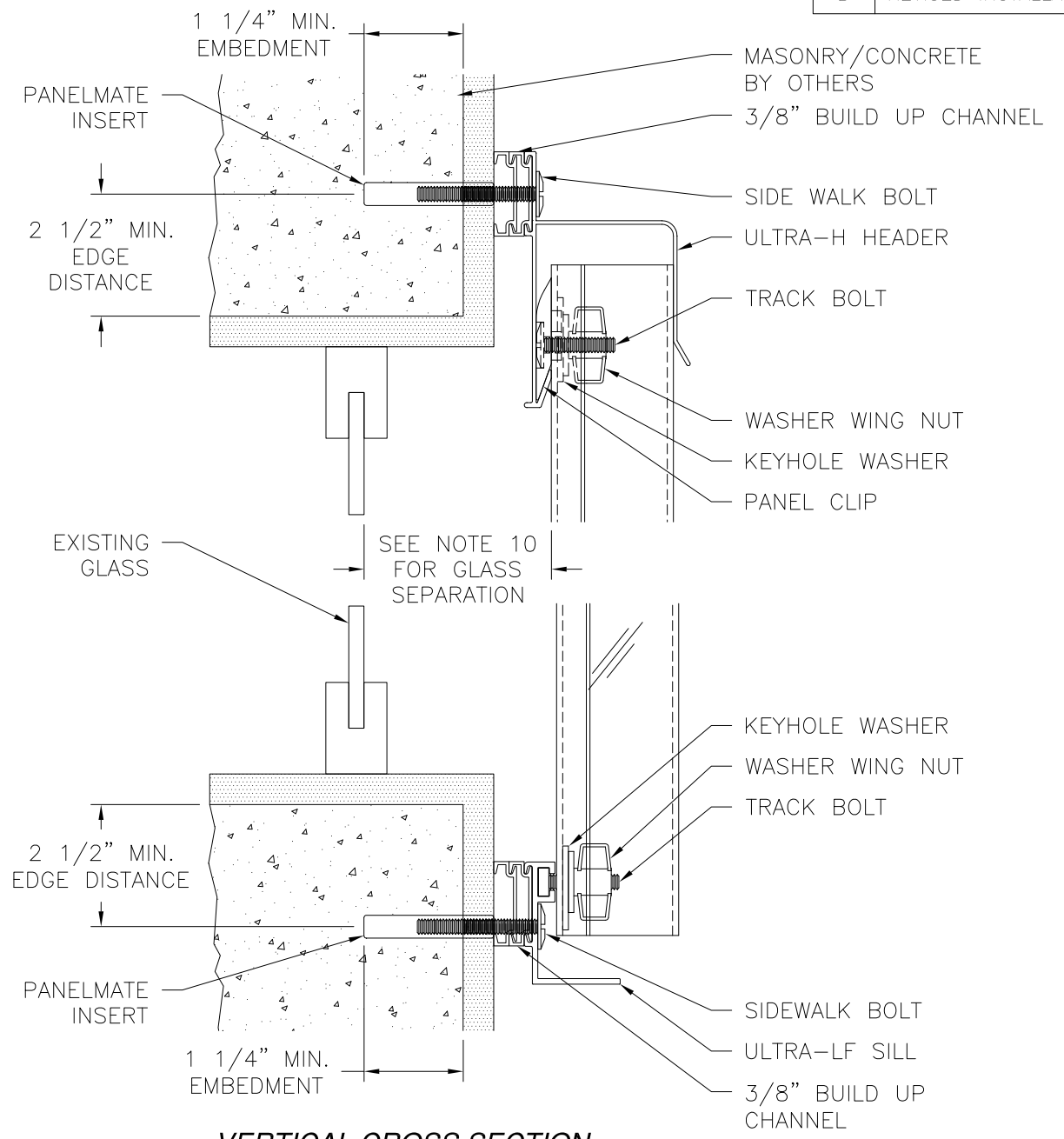
DRAWN: R.L.	DWG NO. 08-01262	REV B
SCALE NTS	DATE 06/20/11	SHEET 3 OF 10



REVISIONS			
REV	DESCRIPTION	DATE	APPROVED
A	CORRECTED NOTE CALLOUT	6/30/11	R.L.
B	REVISED INSTALLATION DETAILS	7/08/15	R.L.



**VERTICAL CROSS SECTION**  
WOOD INSTALLATION  
WITH (2) 3/8" BUILD UP



**VERTICAL CROSS SECTION**  
MASONRY/CONCRETE INSTALLATION  
WITH (2) 3/8" BUILD UP

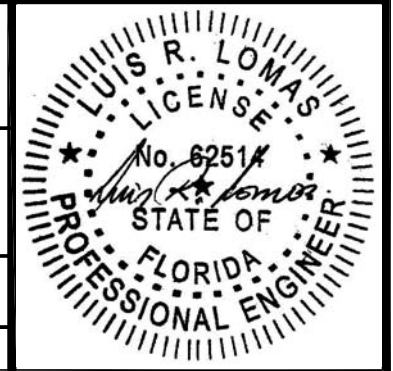


VUSAFE INDUSTRIES, LLC  
350 KIDDS HILL ROAD  
HYANNIS, MA 02601

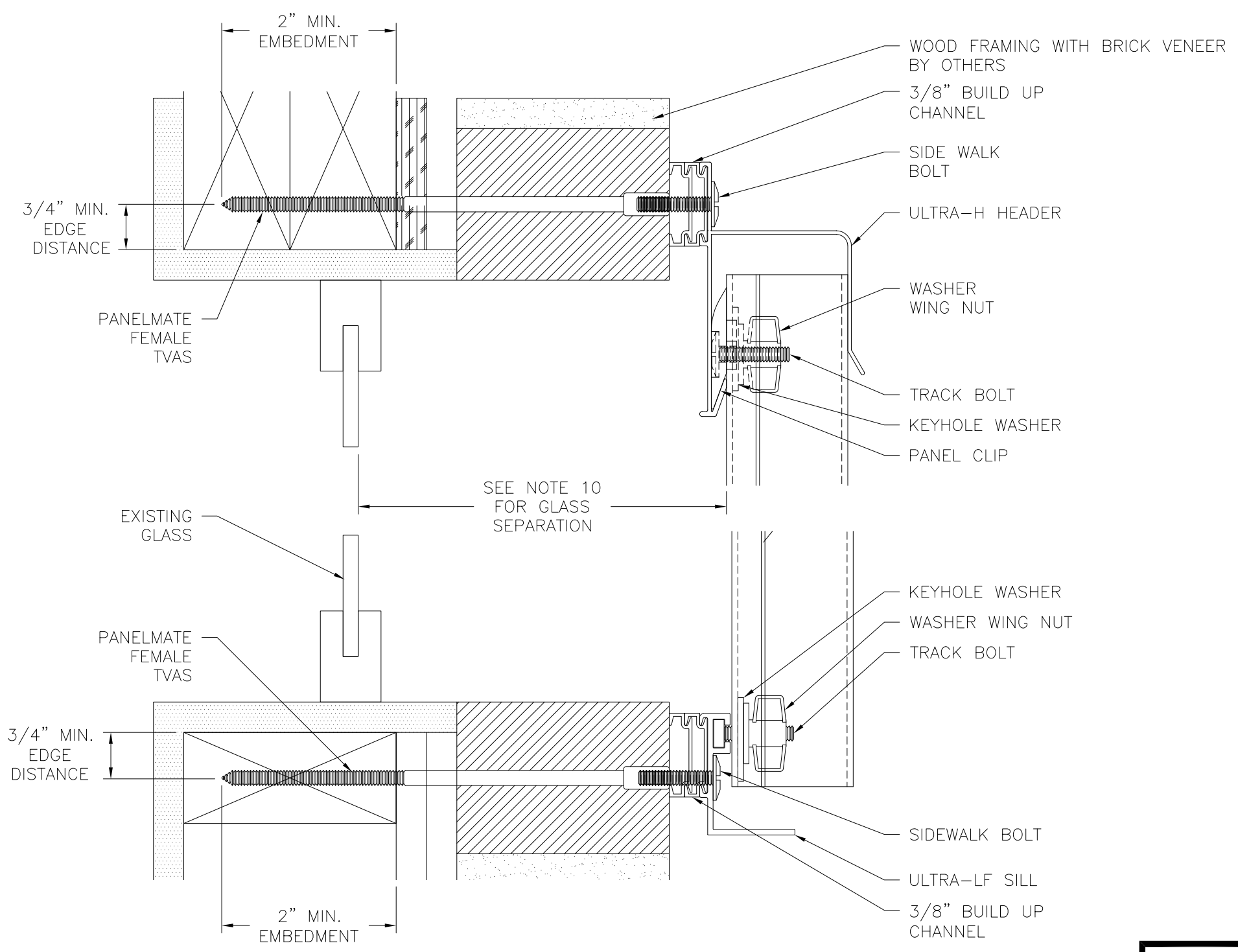
STORM SHUTTER TYPE D  
86" HEIGHT  
INSTALLATION DETAILS

DRAWN: R.L.	DWG NO. 08-01262	REV B
SCALE NTS	DATE 06/20/11	SHEET 4 OF 10

SIGNED: 07/09/2015



REVISIONS			
REV	DESCRIPTION	DATE	APPROVED
A	CORRECTED NOTE CALLOUT	6/30/11	R.L.
B	REVISED INSTALLATION DETAILS	7/08/15	R.L.



**VERTICAL CROSS SECTION**  
 BRICK VENEER INSTALLATION  
 WITH (2) 3/8" BUILD UP

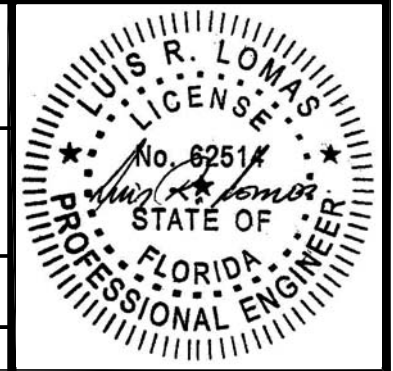
SIGNED: 07/09/2015



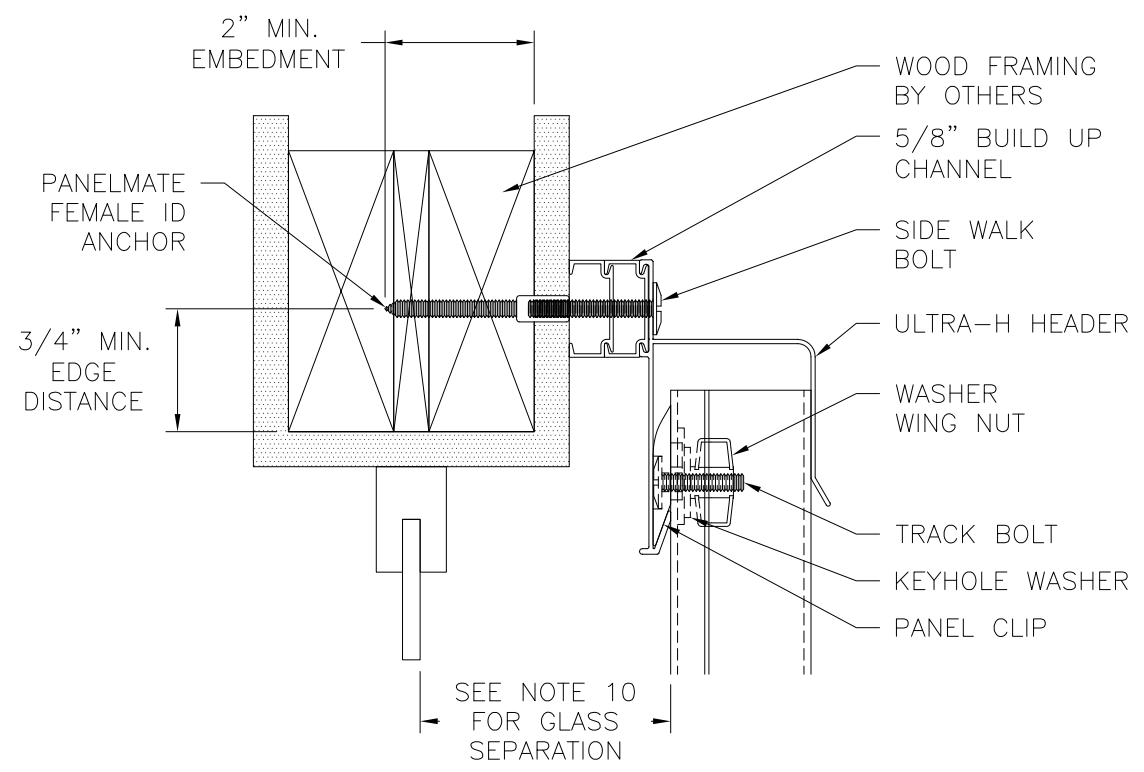
VUSAFE INDUSTRIES, LLC  
 350 KIDDS HILL ROAD  
 HYANNIS, MA 02601

STORM SHUTTER TYPE D  
 86" HEIGHT  
 INSTALLATION DETAILS

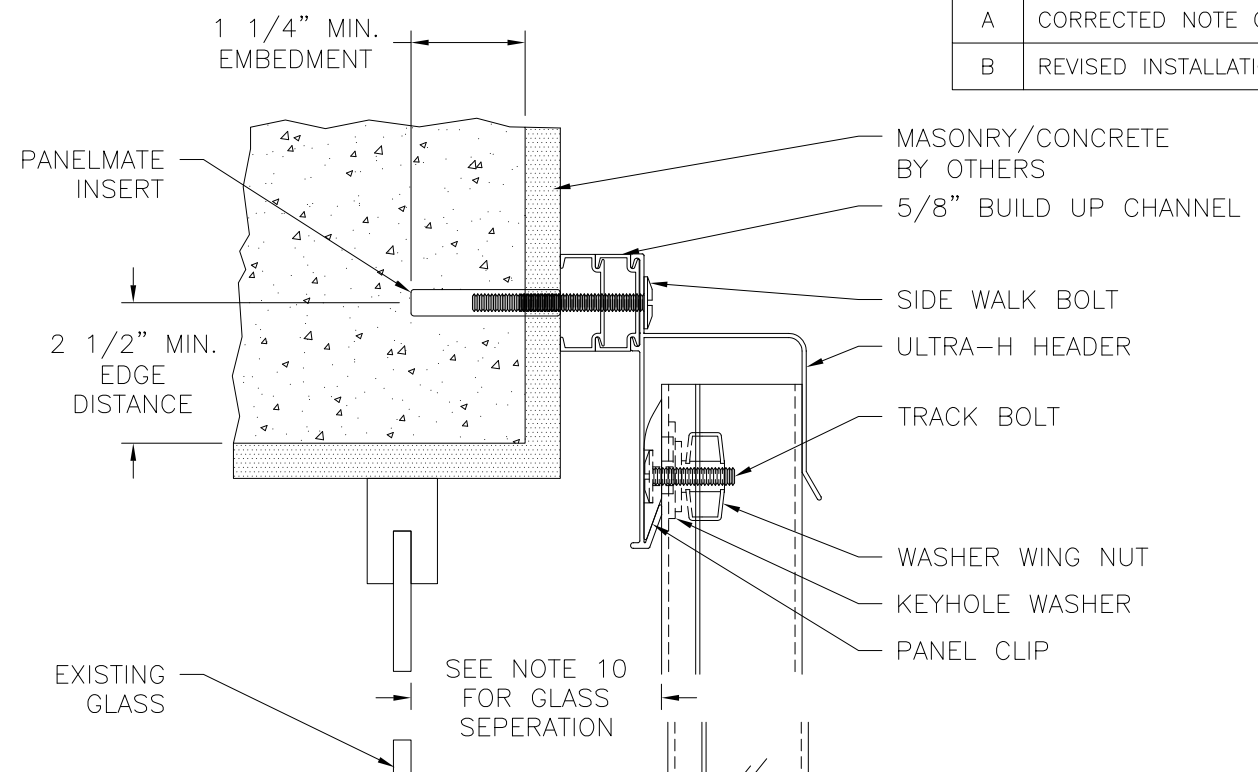
DRAWN: R.L.	DWG NO. 08-01262	REV B
SCALE NTS	DATE 06/20/11	SHEET 5 OF 10



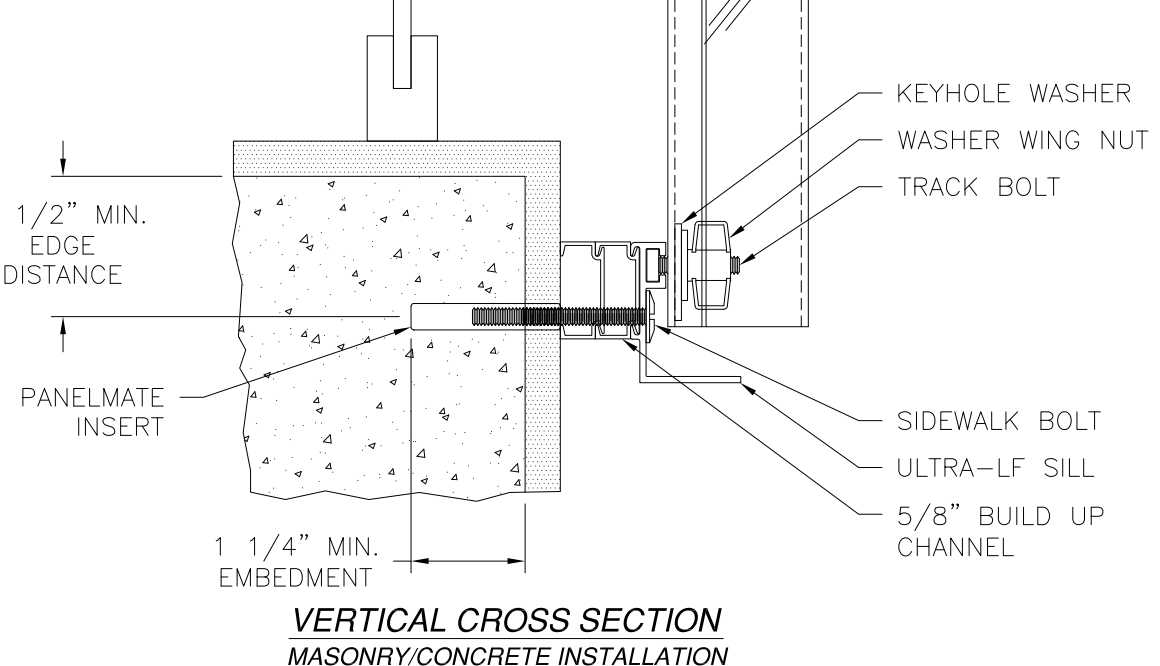
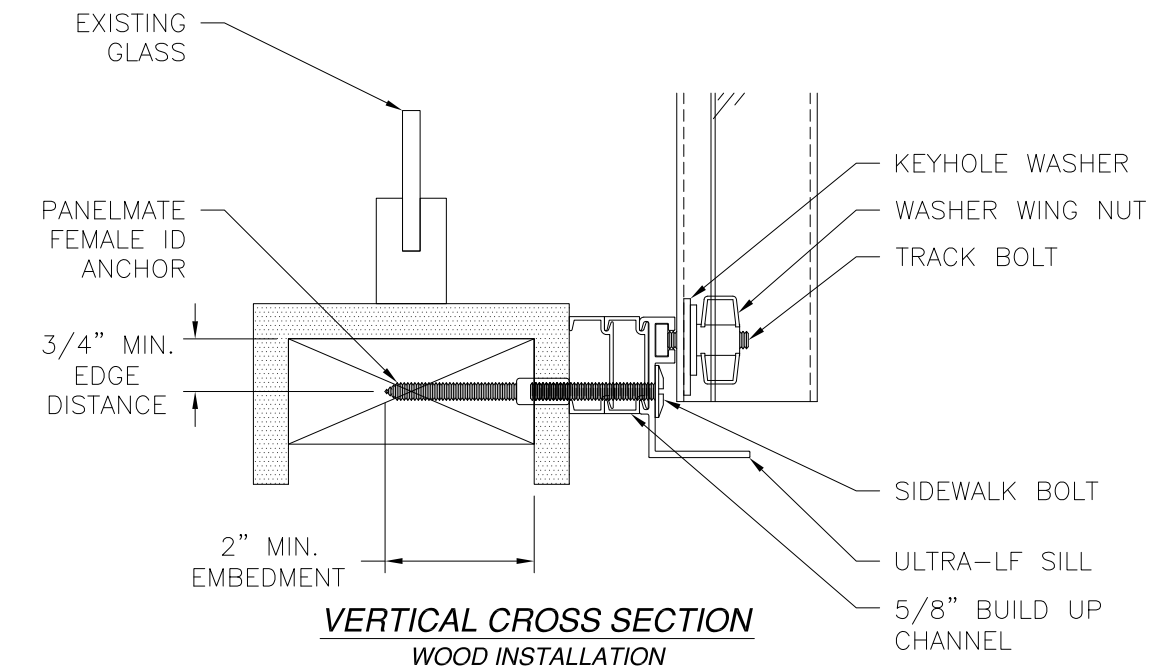
REVISIONS			
REV	DESCRIPTION	DATE	APPROVED
A	CORRECTED NOTE CALLOUT	6/30/11	R.L.
B	REVISED INSTALLATION DETAILS	7/08/15	R.L.



**VERTICAL CROSS SECTION**  
WOOD INSTALLATION  
WITH (2) 5/8" BUILD UP



**VERTICAL CROSS SECTION**  
MASONRY/CONCRETE INSTALLATION  
WITH (2) 5/8" BUILD UP

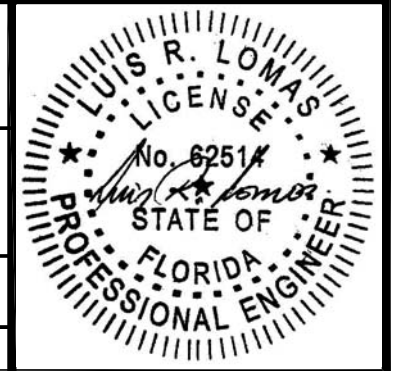


VUSAFE INDUSTRIES, LLC  
350 KIDDS HILL ROAD  
HYANNIS, MA 02601

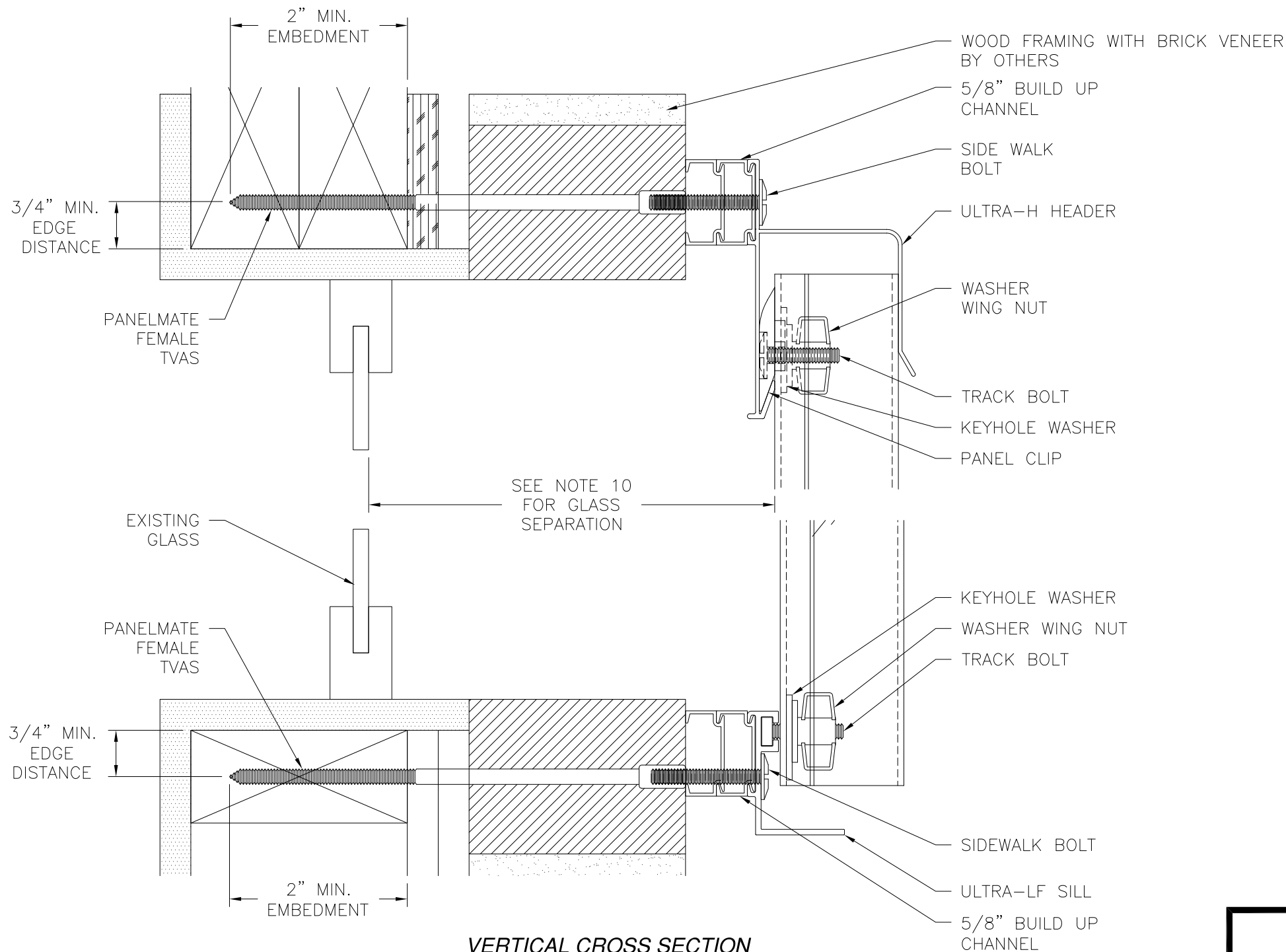
STORM SHUTTER TYPE D  
86" HEIGHT  
INSTALLATION DETAILS

DRAWN: R.L.	DWG NO. 08-01262	REV B
SCALE NTS	DATE 06/20/11	SHEET 6 OF 10

SIGNED: 07/09/2015



REVISIONS			
REV	DESCRIPTION	DATE	APPROVED
A	CORRECTED NOTE CALLOUT	6/30/11	R.L.
B	REVISED INSTALLATION DETAILS	7/08/15	R.L.



**VERTICAL CROSS SECTION**  
 BRICK VENEER INSTALLATION  
 WITH (2) 5/8" BUILD UP

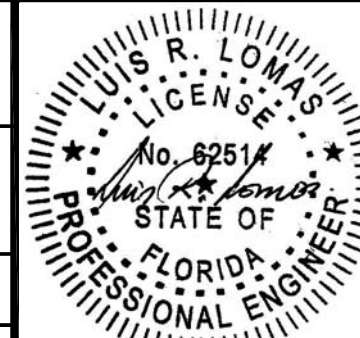
SIGNED: 07/09/2015



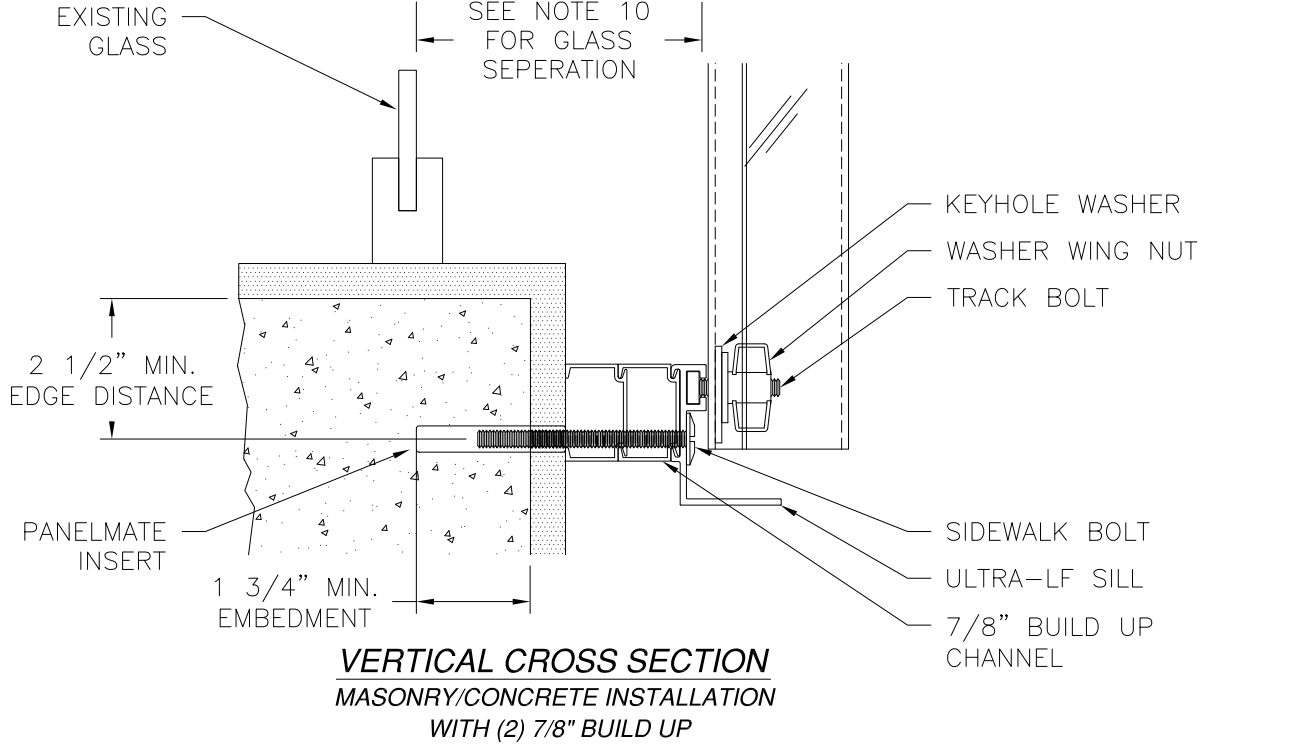
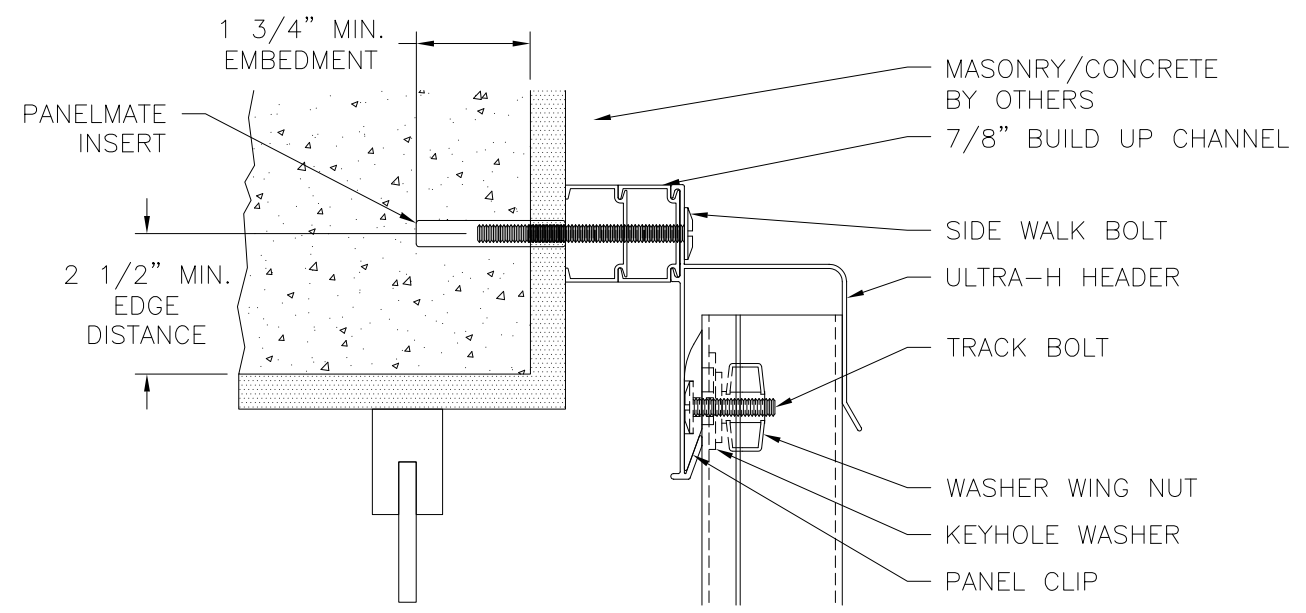
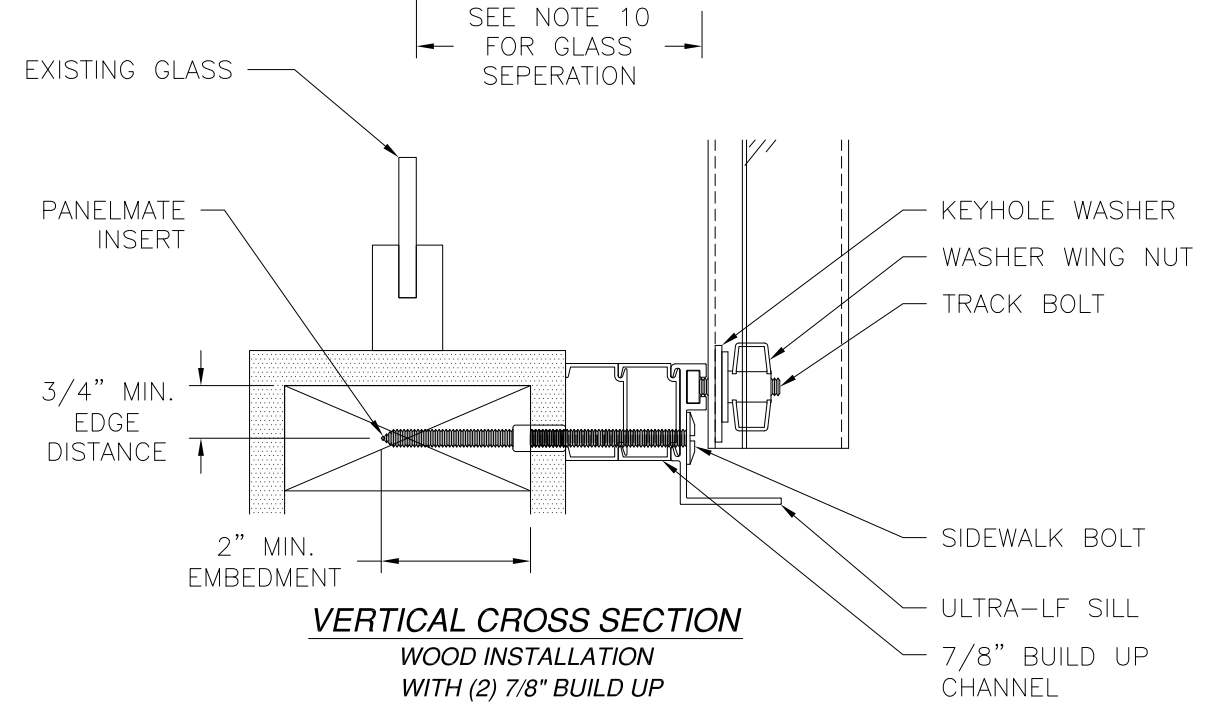
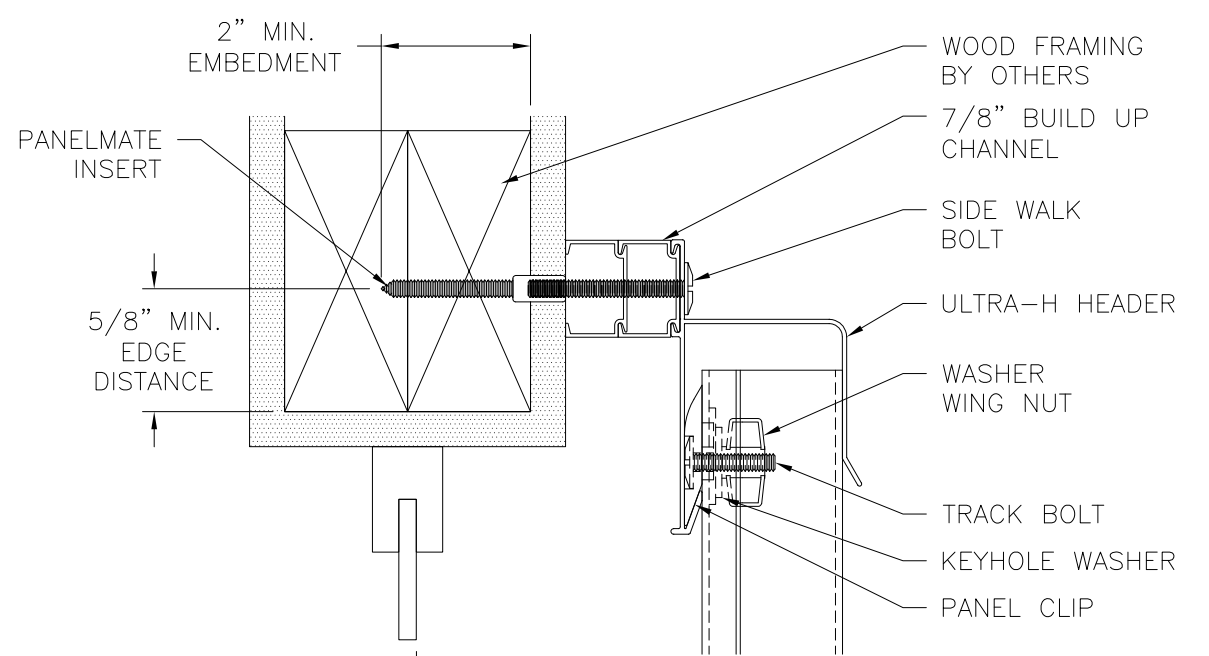
VUSAFE INDUSTRIES, LLC  
 350 KIDDS HILL ROAD  
 HYANNIS, MA 02601

STORM SHUTTER TYPE D  
 86" HEIGHT  
 INSTALLATION DETAILS

DRAWN: R.L.	DWG NO. 08-01262	REV B
SCALE NTS	DATE 06/20/11	SHEET 7 OF 10



REVISIONS			
REV	DESCRIPTION	DATE	APPROVED
A	CORRECTED NOTE CALLOUT	6/30/11	R.L.
B	REVISED INSTALLATION DETAILS	7/08/15	R.L.



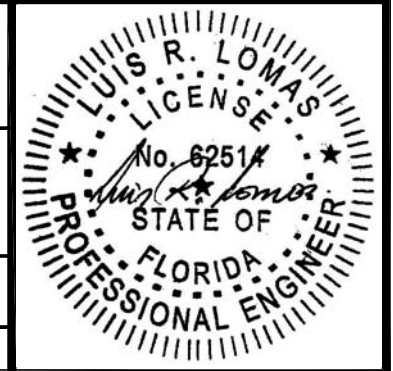
SIGNED: 07/09/2015



VUSAFE INDUSTRIES, LLC  
350 KIDDS HILL ROAD  
HYANNIS, MA 02601

STORM SHUTTER TYPE D  
86" HEIGHT  
INSTALLATION DETAILS

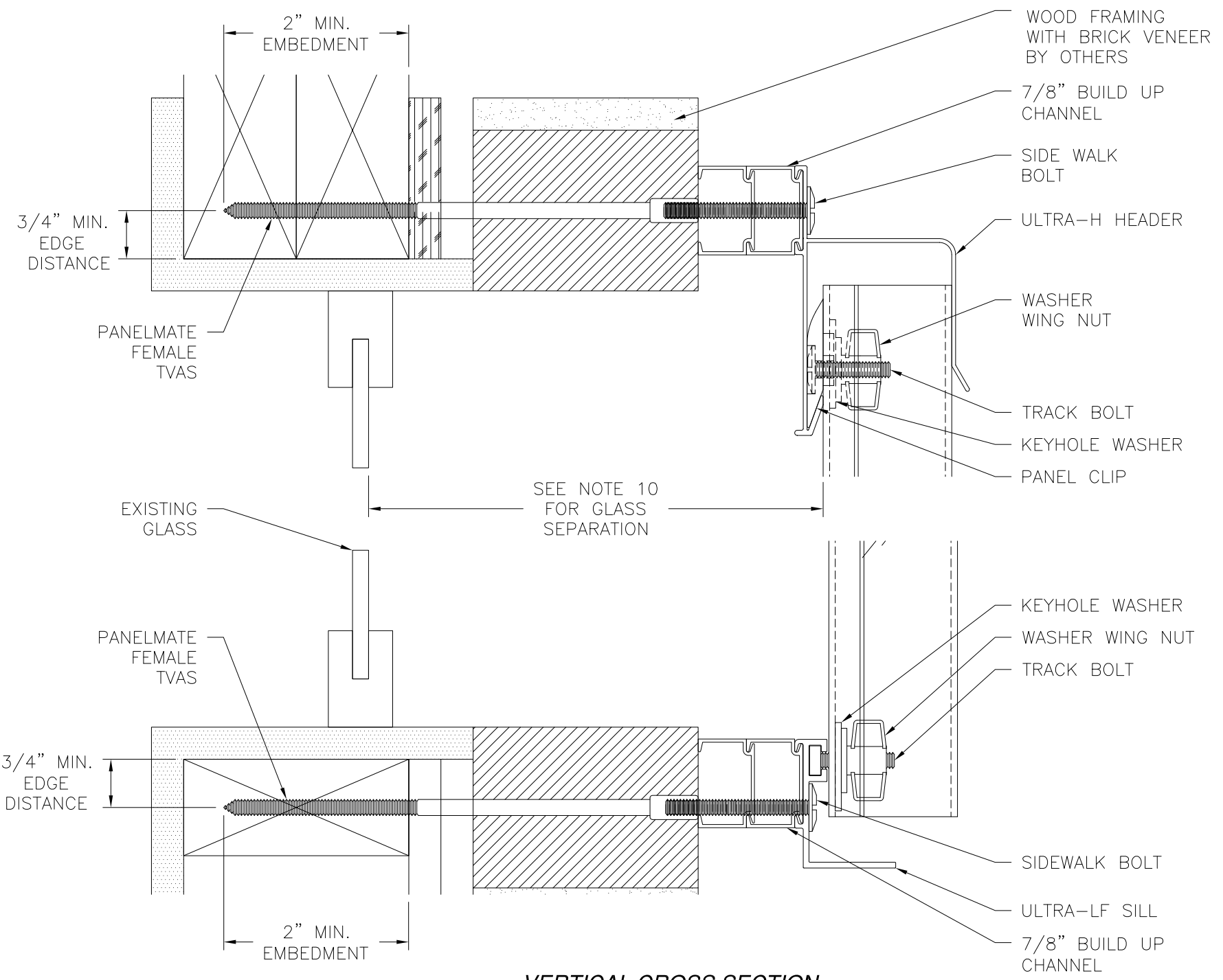
DRAWN: R.L.	DWG NO. 08-01262	REV B
SCALE NTS	DATE 06/20/11	SHEET 8 OF 10





REVISIONS

REV	DESCRIPTION	DATE	APPROVED
A	CORRECTED NOTE CALLOUT	6/30/11	R.L.
B	REVISED INSTALLATION DETAILS	7/08/15	R.L.



**VERTICAL CROSS SECTION**  
 BRICK VENEER INSTALLATION  
 WITH (2) 7/8" BUILD UP

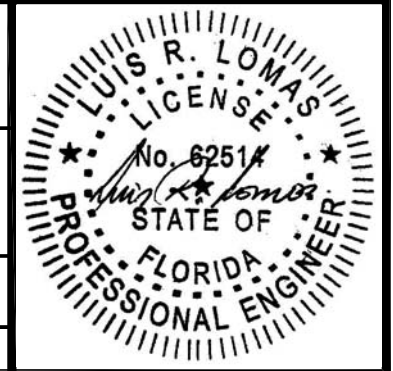
SIGNED: 07/09/2015

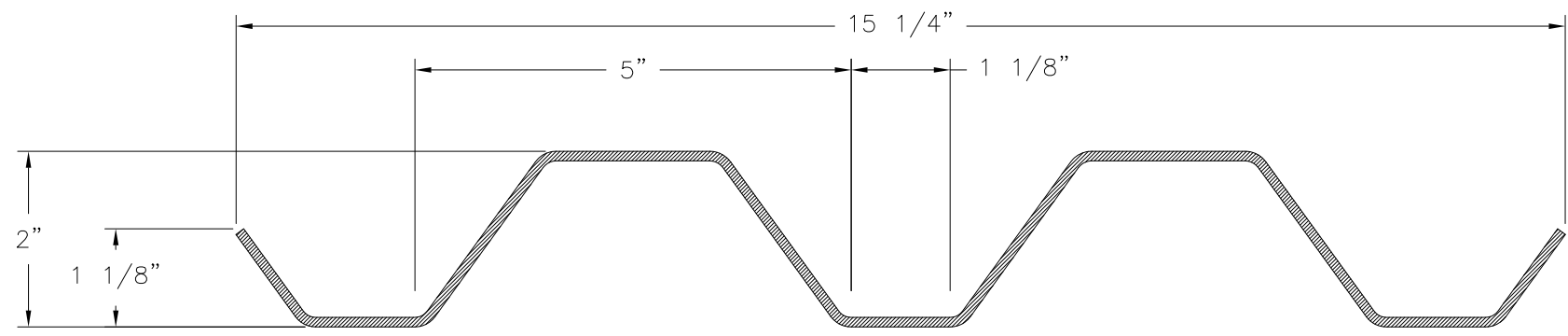


VUSAFE INDUSTRIES, LLC  
 350 KIDDS HILL ROAD  
 HYANNIS, MA 02601

STORM SHUTTER TYPE D  
 86" HEIGHT  
 INSTALLATION DETAILS

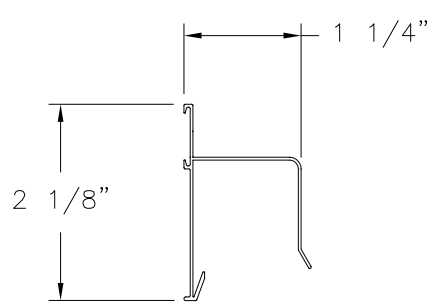
DRAWN: R.L.	DWG NO. 08-01262	REV B
SCALE NTS	DATE 06/20/11	SHEET 9 OF 10



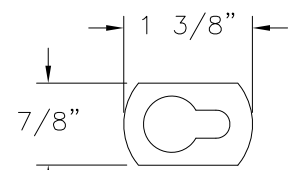


**VUSAFE PANEL**  
 SYNTHETIC THERMOPLASTIC POLYMERMAKROLONRESIN  
 FY: 9.43KSI

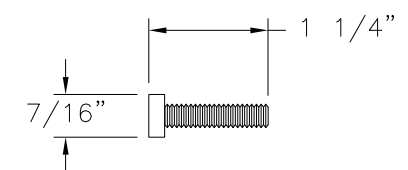
REVISIONS			
REV	DESCRIPTION	DATE	APPROVED
A	CORRECTED NOTE CALLOUT	6/30/11	R.L.
B	REVISED INSTALLATION DETAILS	6/30/11	R.L.



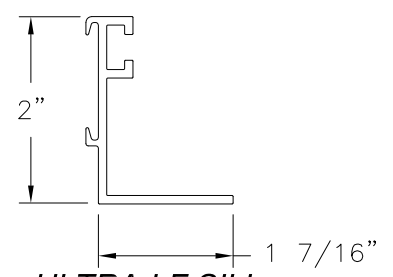
**ULTRA-H HEADER**  
 ALUMINUM 6063-T6



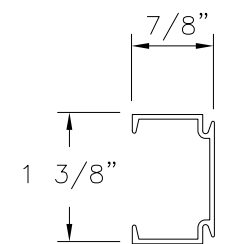
**KEYHOLE WASHER**  
 POLYCARBONATE .093" THICK



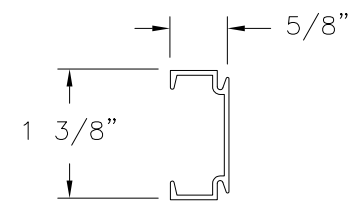
**TRACK BOLT**  
 STAINLESS STEEL



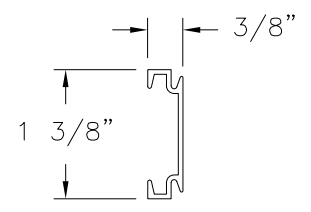
**ULTRA-LF SILL**  
 ALUMINUM 6063-T6 .090" THICK



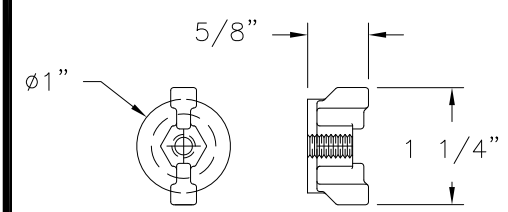
**7/8" BUILD UP CHANNEL**  
 ALUMINUM 6063-T6  
 .055" THICK



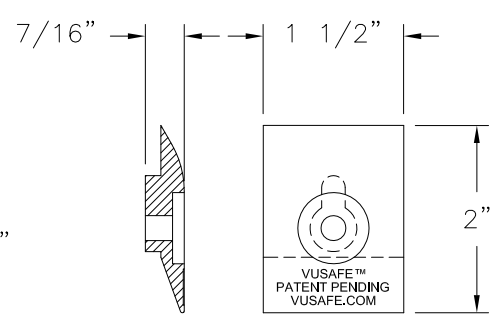
**5/8" BUILD UP CHANNEL**  
 ALUMINUM 6063-T6  
 .055" THICK



**3/8" BUILD UP CHANNEL**  
 ALUMINUM 6063-T6  
 .055" THICK



**WASHER WING NUT**  
 STAINLESS STEEL



**PANEL CLIP**  
 POLYCARBONATE OR  
 30% FIBER FILLED NYLON

SIGNED: 07/09/2015



VUSAFE INDUSTRIES, LLC  
 350 KIDDS HILL ROAD  
 HYANNIS, MA 02601

STORM SHUTTER TYPE D  
 86" HEIGHT  
 INSTALLATION DETAILS AND COMPONENTS

DRAWN: R.L.	DWG NO. 08-01262	REV B
SCALE NTS	DATE 06/20/11	SHEET 10 OF 10

