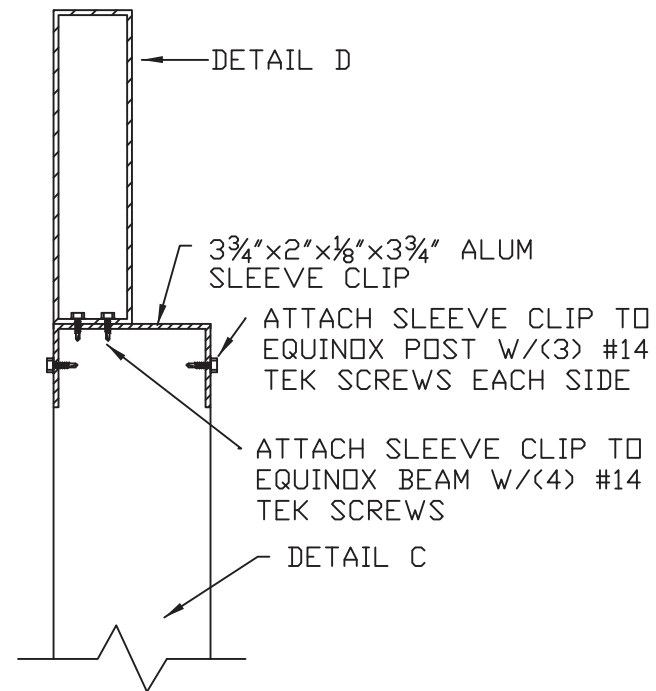
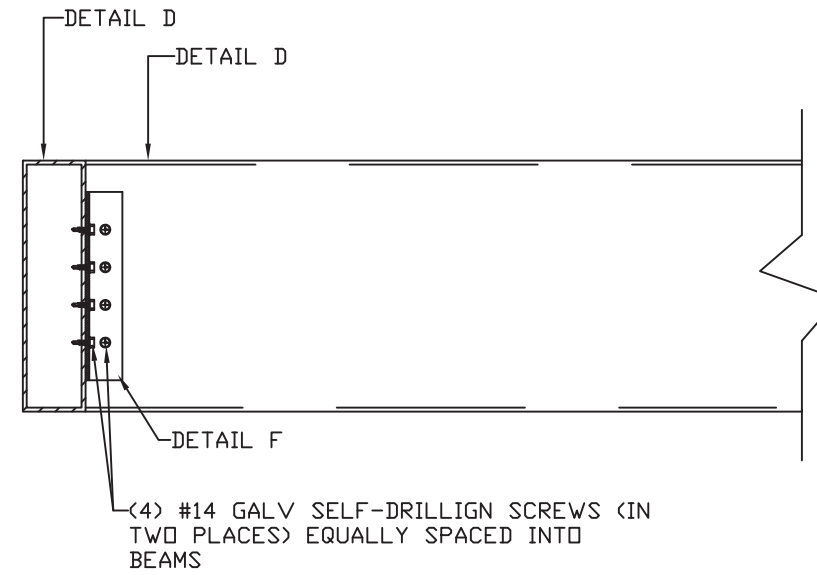


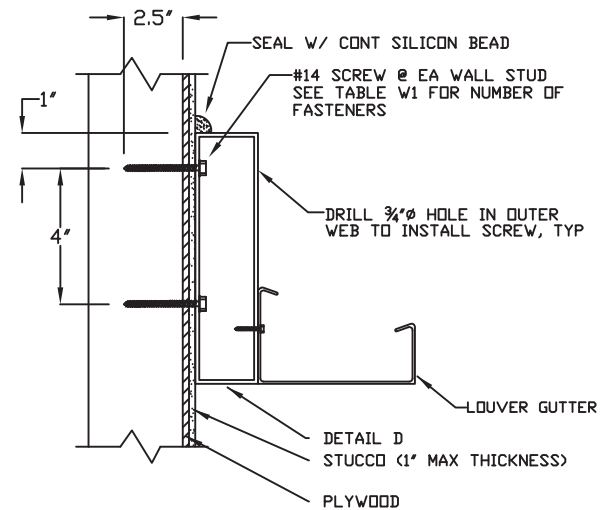
DETAIL K
EQUINOX HEADER TO POST
CONNECTION



DETAIL I
EQUINOX BEAM TO EQUINOX BEAM CONNECTION



DETAIL J1
EQUINOX LEDGER TO STRUCTURE
CONNECTION



DETAIL J2
EQUINOX LEDGER TO STRUCTURE
CONNECTION FOR TYPE "C" AND "G" ONLY

