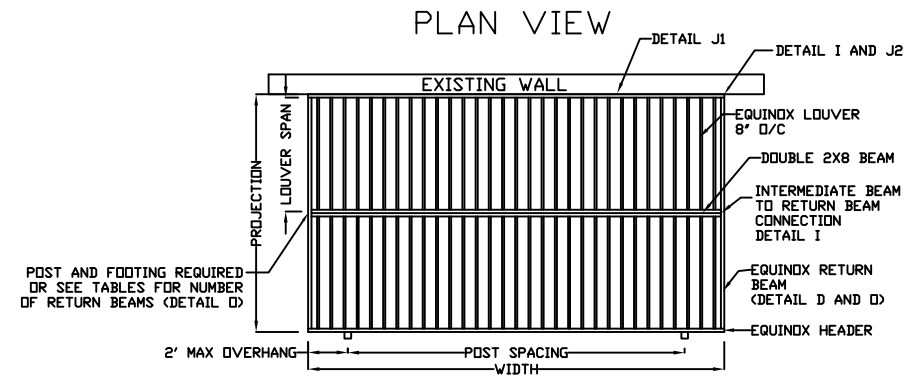
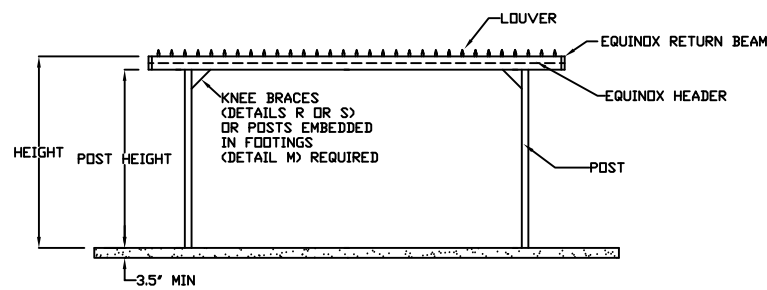


SINGLE SPAN LOUVER ATTACHED STRUCTURE (2 POST ONLY)

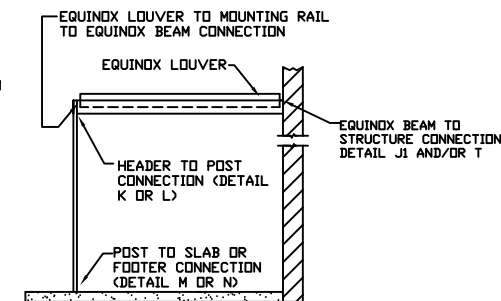


MULTI SPAN LOUVER ATTACHED STRUCTURE (2 POSTS ONLY)

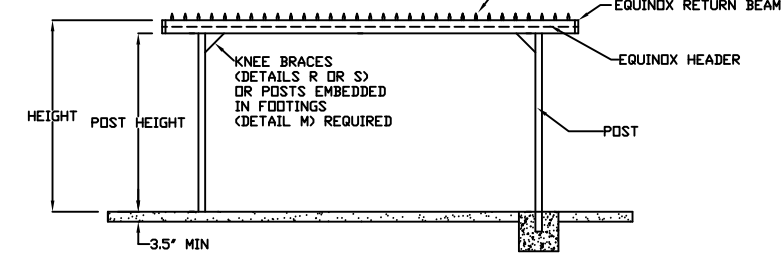
STRUCTURE TYPE A FRONT ELEVATION



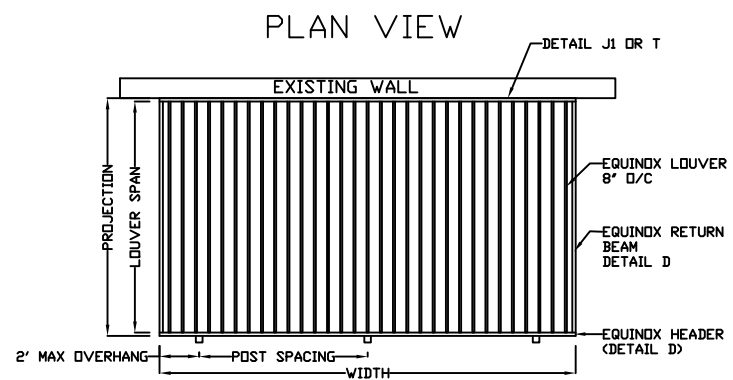
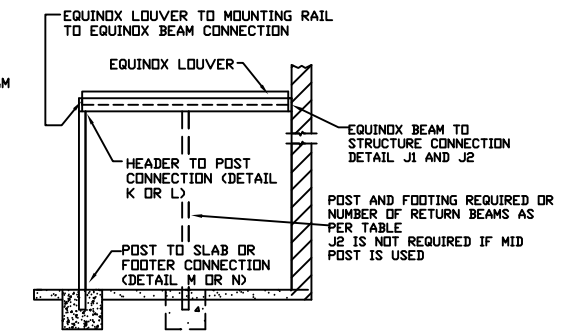
SIDE ELEVATION



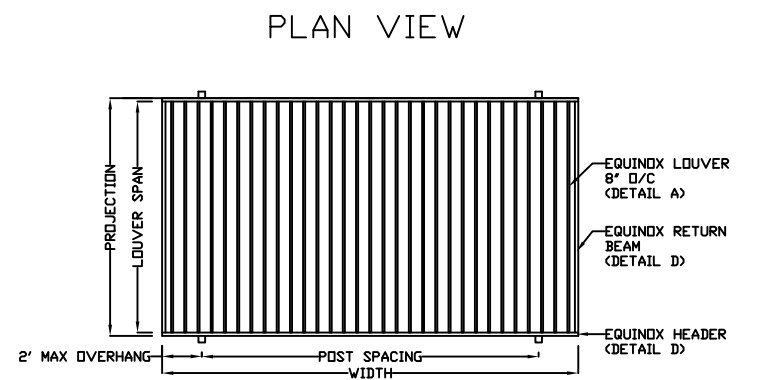
STRUCTURE TYPE C FRONT ELEVATION



SIDE ELEVATION

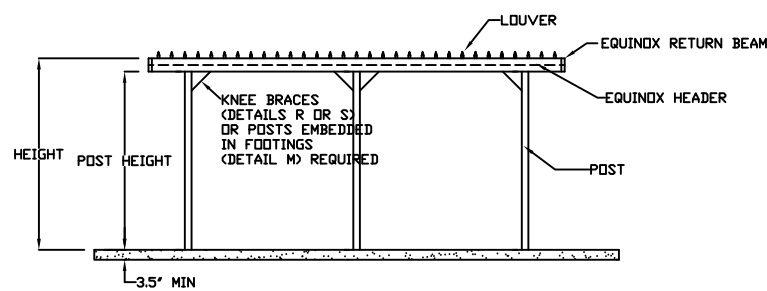


SINGLE SPAN LOUVER ATTACHED STRUCTURE (3 POST MINIMUM)

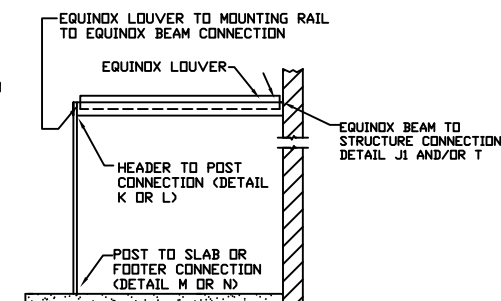


SINGLE SPAN LOUVER FREESTANDING STRUCTURE (4 POST ONLY)

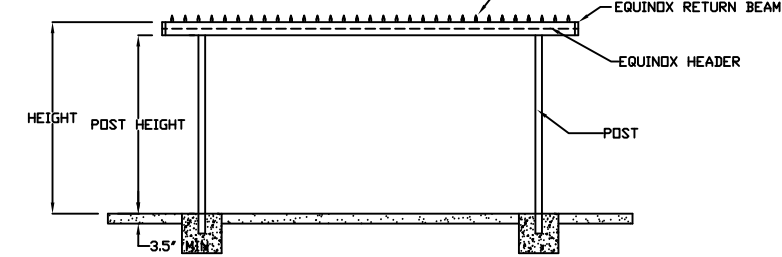
STRUCTURE TYPE B FRONT ELEVATION



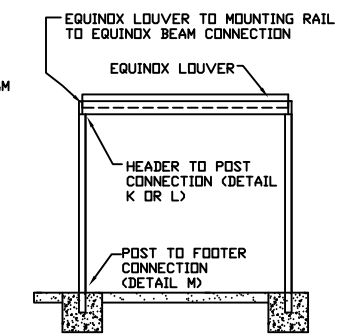
SIDE ELEVATION



STRUCTURE TYPE D FRONT ELEVATION

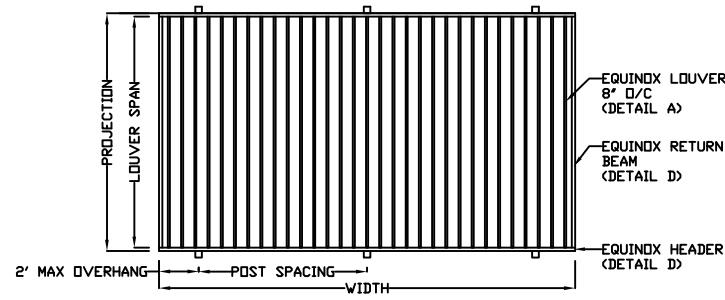


SIDE ELEVATION



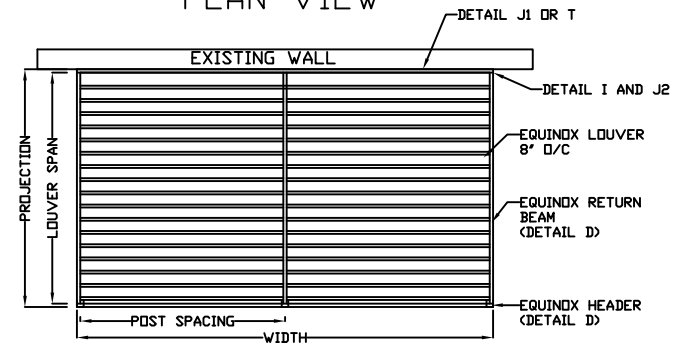
DATE	DRAWN BY	CARL PUTNAM P.E.	3441 IVY LINK PLACE LYNCHBURG, VA 24503 (434) 384-2514 CARLPUTNAM@COMCAST.NET
06/26/12	CMP		
02/17/17	CMP	CLIENT	AMERIMAX BUILDING PRODUCTS
		FILE	EquinoxPlans.dwg
		DESC	configurations

PLAN VIEW



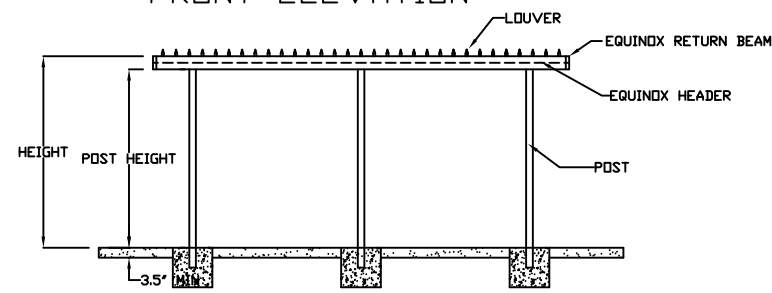
SINGLE SPAN LOUVER
FREESTANDING STRUCTURE
(6 POST MINIMUM)

PLAN VIEW

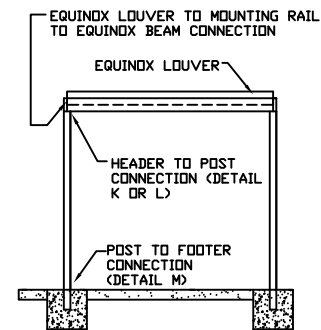


SINGLE SPAN LOUVER
ATTACHED STRUCTURE (3
POST MINIMUM)

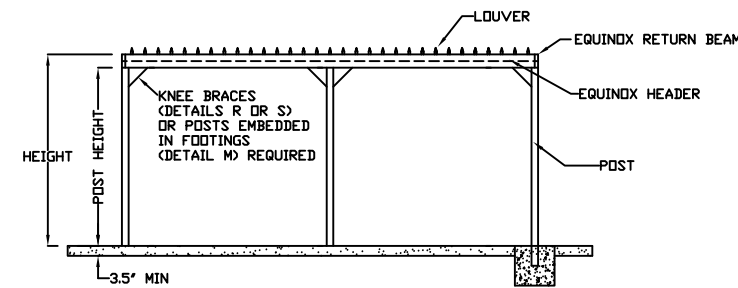
STRUCTURE TYPE E
FRONT ELEVATION



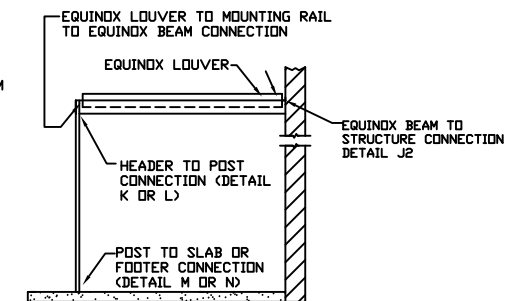
SIDE ELEVATION



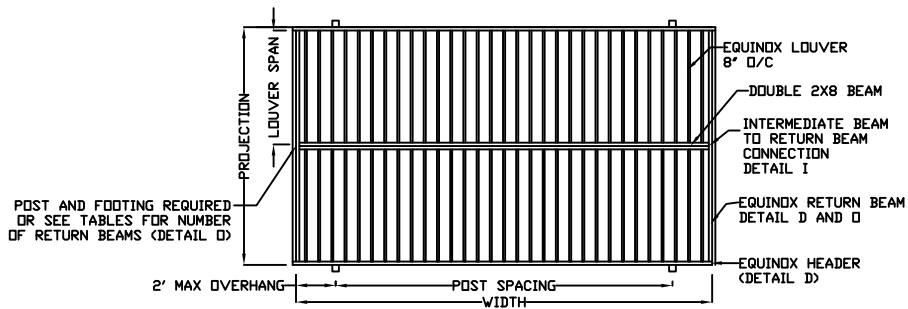
STRUCTURE TYPE G
FRONT ELEVATION



SIDE ELEVATION

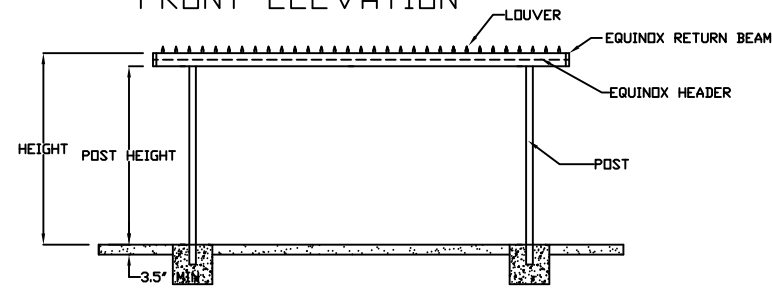


PLAN VIEW

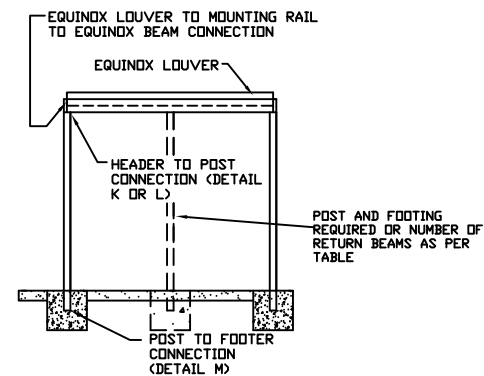


MULTI SPAN LOUVER
FREESTANDING STRUCTURE
(4 POST ONLY)

STRUCTURE TYPE F
FRONT ELEVATION

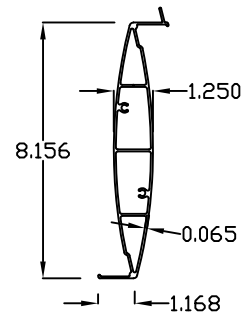


SIDE ELEVATION

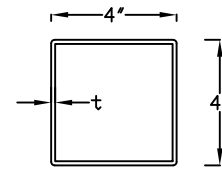


DATE	DRAWN BY	CARL PUTNAM P.E.	3441 IVY LINK PLACE LYNCHBURG, VA 24503 (434) 384-2514 CARLPUTNAM@COMCAST.NET
06/26/12	CMP		
02/17/17	CMP	CLIENT	AMERIMAX BUILDING PRODUCTS
		FILE	EquinoxPlans.dwg
		DESC	configurations

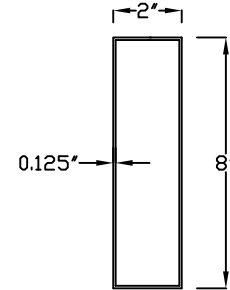
DETAIL B
EXTRUDED 6063T6
ALUMINUM LOUVER



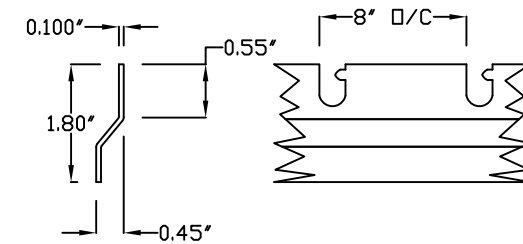
DETAIL C
EQUINOX POST
t=0.125" 6061-T6 ALUM. ALLOY
OR
t=0.188" ASTM A500 GRADE B STEEL



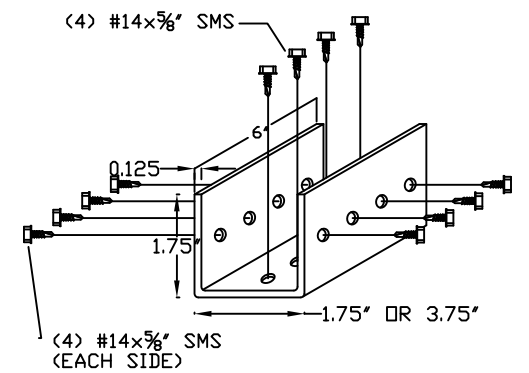
DETAIL D
2"x8" EQUINOX HEADER AND
RETURN BEAM
(6061-T6 ALUM. ALLOY)



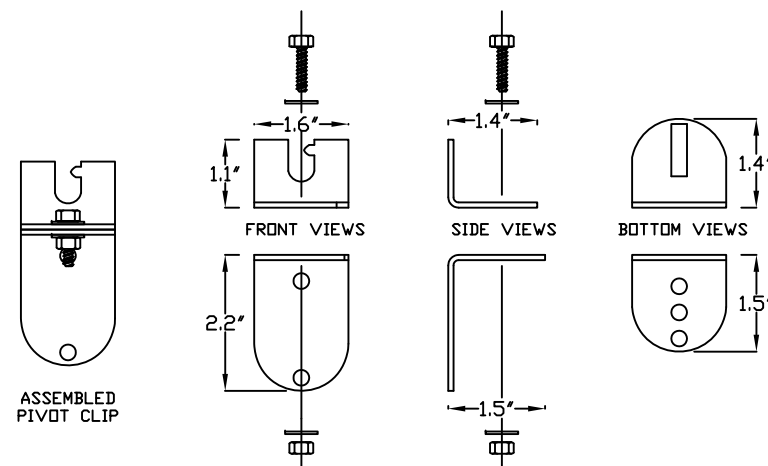
DETAIL E
EQUINOX LOUVER
MOUNTING RAIL
0.100" 6061T6 ALUM



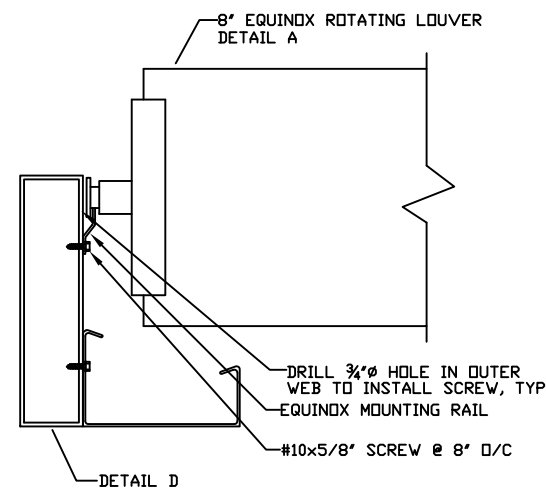
DETAIL F
6063T6 ALUM. SLEEVE
CLIP DETAILS



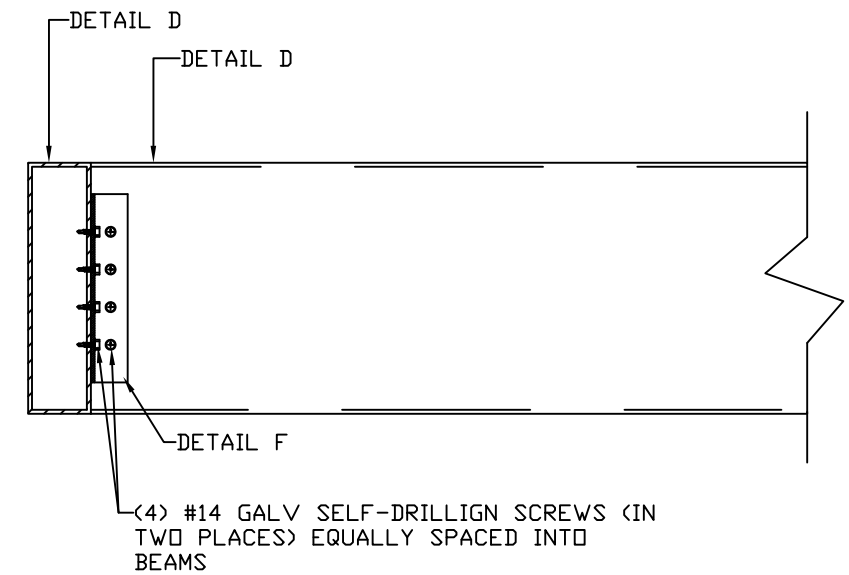
DETAIL G
EQUINOX PIVOT CLIP



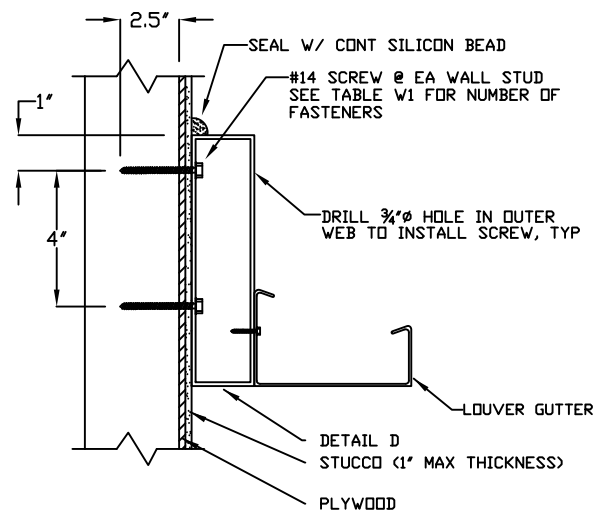
DETAIL H
EQUINOX LOUVER TO MOUNTING
RAIL TO HEADER CONNECTION



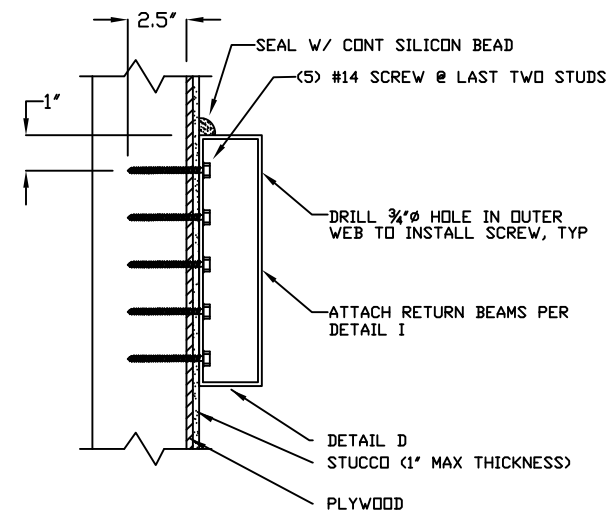
DETAIL I
EQUINOX BEAM TO EQUINOX BEAM CONNECTION



DETAIL J1
EQUINOX LEDGER TO STRUCTURE
CONNECTION

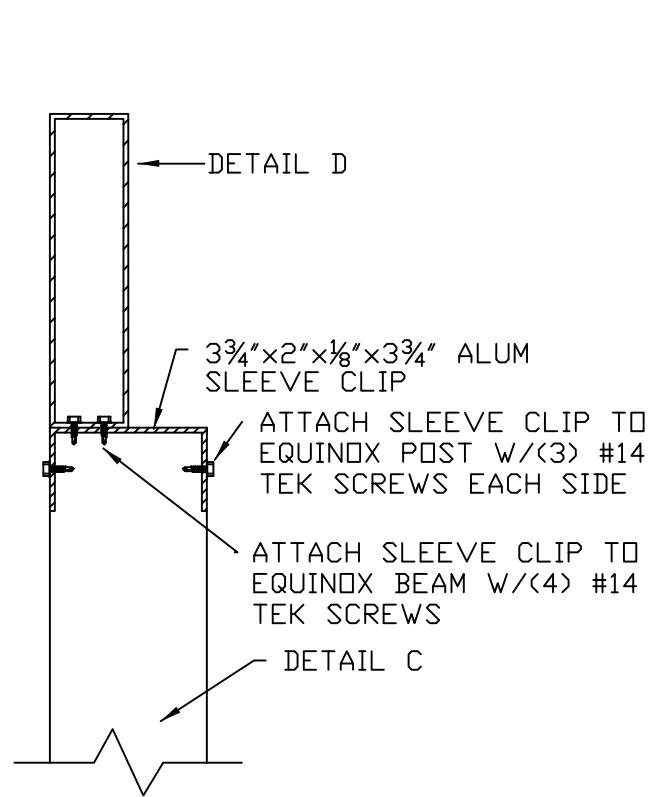


DETAIL J2
EQUINOX LEDGER TO STRUCTURE
CONNECTION FOR TYPE "C" AND "G" ONLY

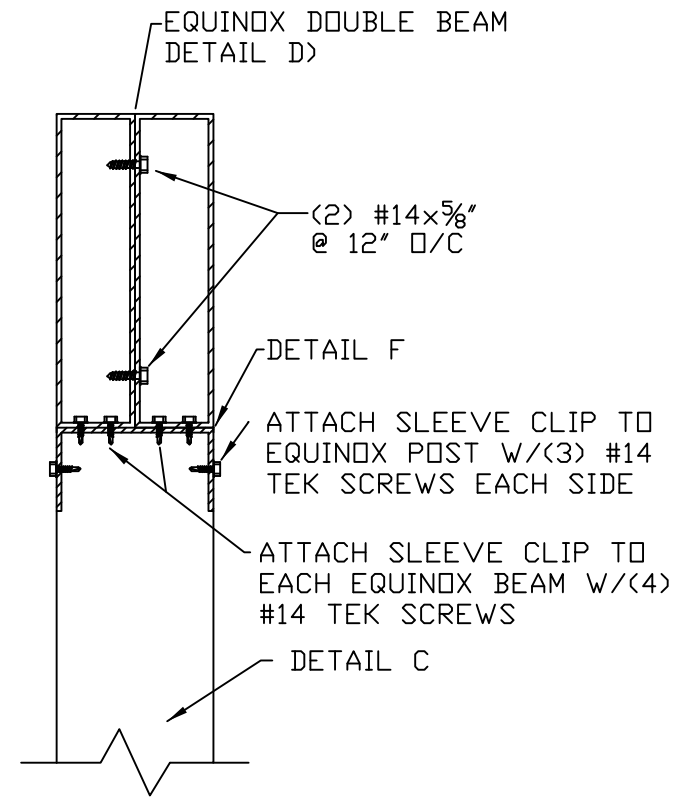


DATE	DRAWN BY	CARL PUTNAM P.E.	3441 IVY LINK PLACE LYNCHBURG, VA 24503 (434) 384-2514 CARLPUTNAM@COMCAST.NET
05/09/12	CMP		
08/18/15	CMP	CLIENT	AMERIMAX BUILDING PRODUCTS
02/17/17	CMP	FILE	EquinoxPlans.dwg
		DESC	DETAILS

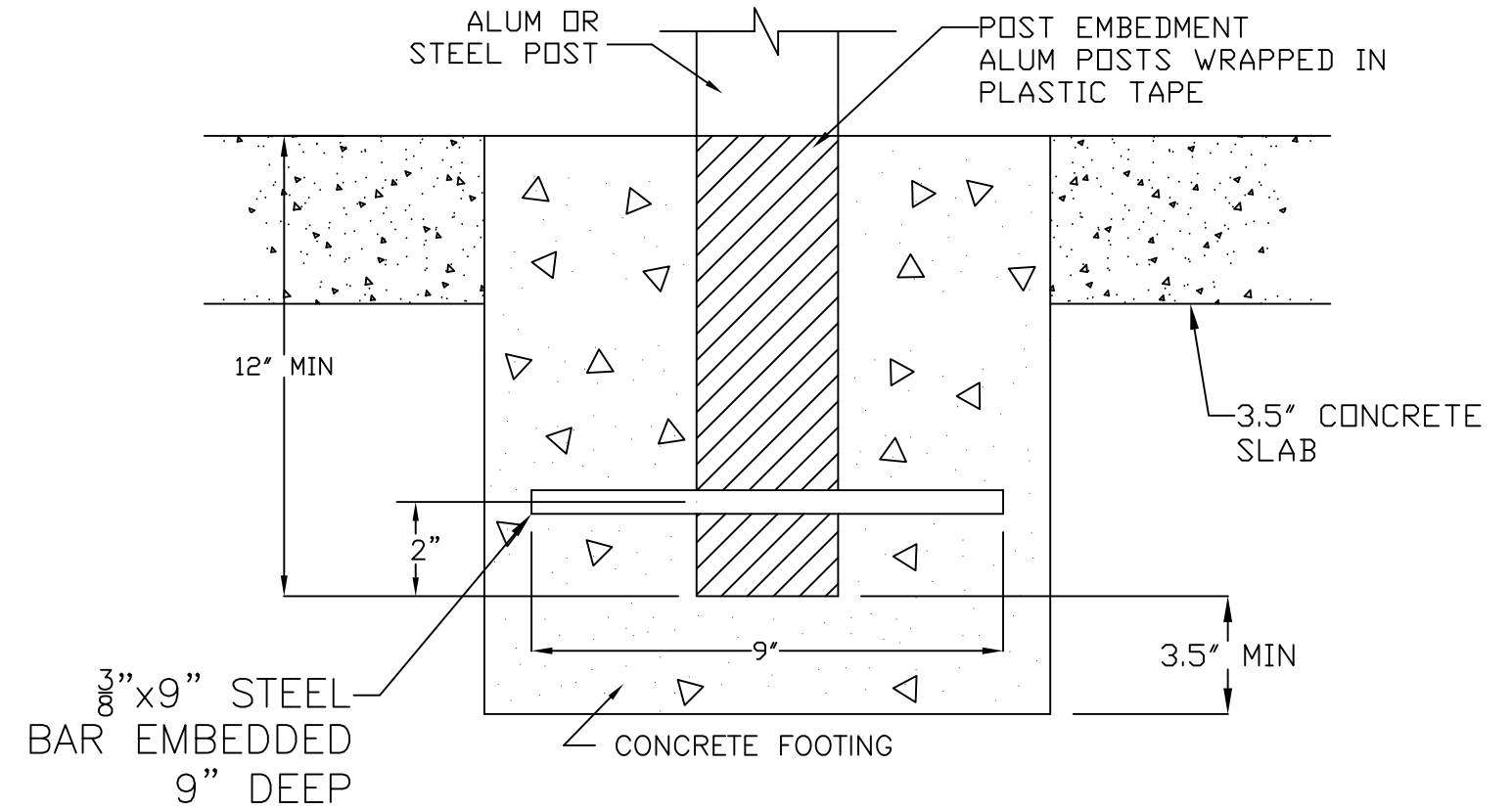
DETAIL K
EQUINOX HEADER TO POST
CONNECTION



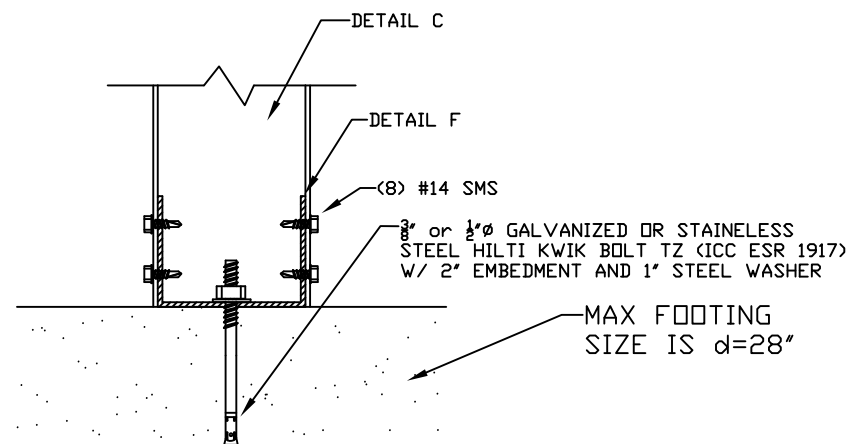
DETAIL L
EQUINOX HEADER TO POST
CONNECTION



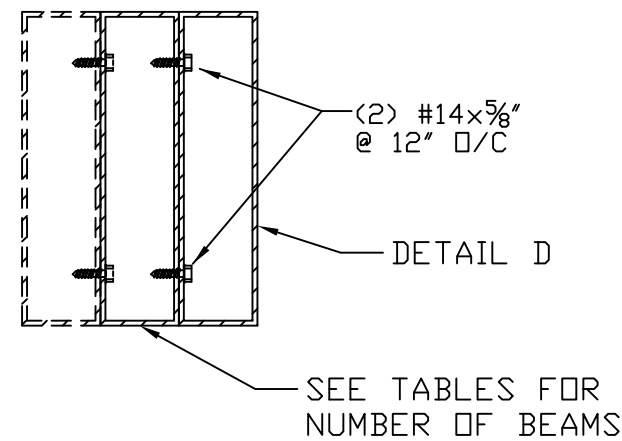
DETAIL M
POST TO FOOTER CONNECTION



DETAIL N
POST TO SLAB/FOOTING
CONNECTION

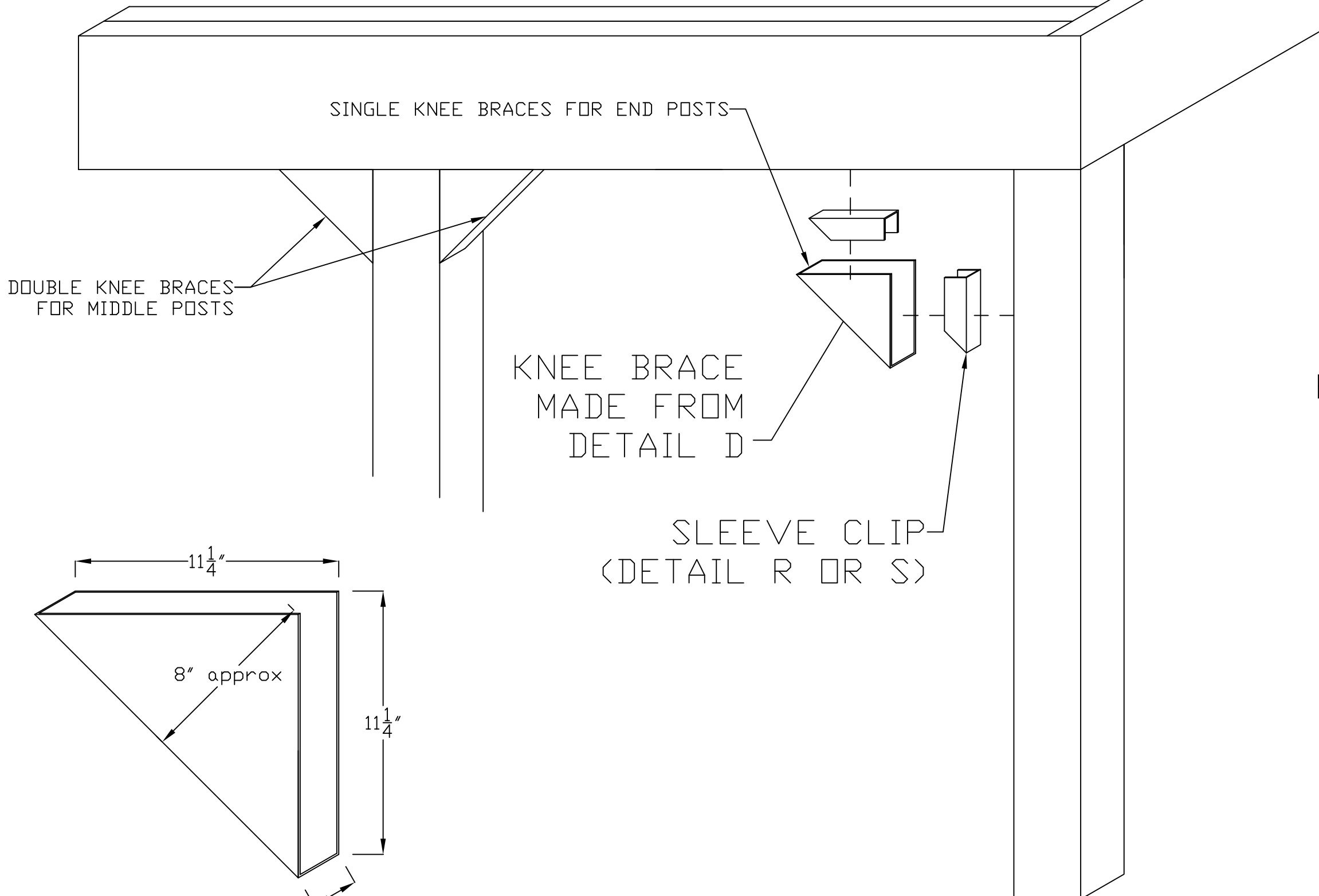


DETAIL O
MULTIPLE RETURN BEAM

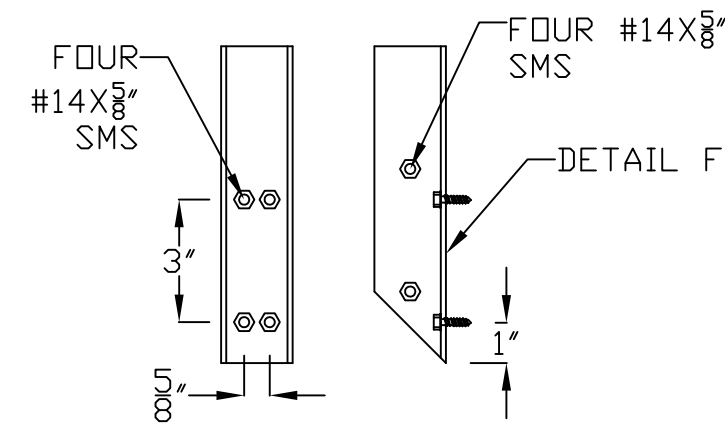


DATE	DRAWN BY	CARL PUTNAM	3441 IVY LINK PLACE LYNCHBURG, VA 24503 (434) 384-2514 CARLPUTNAM@COMCAST.NET
05/09/12	CMP	P.E.	
08/18/15	CMP	CLIENT	AMERIMAX BUILDING PRODUCTS
02/17/17	CMP	FILE	EquinoxPlans.dwg
		DESC	DETAILS

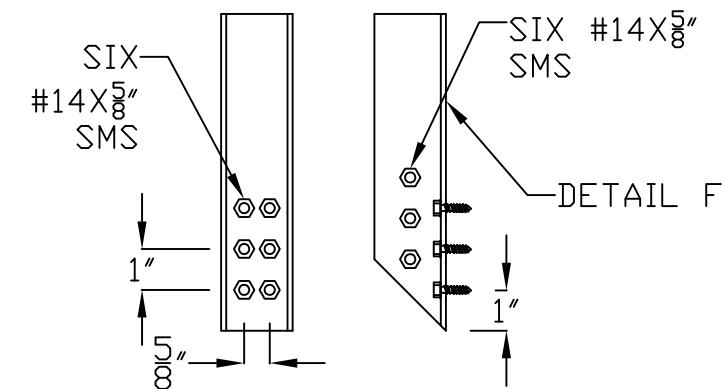
DETAIL Q
KNEE BRACE CONNECTION



DETAIL R
LOW MOMENT CONNECTION
1064 FOOT-POUNDS



DETAIL S
HIGH MOMENT CONNECTION
1749 FOOT-POUNDS



DATE	DRAWN BY	CARL PUTNAM P.E.	3441 IVY LINK PLACE LYNCHBURG, VA 24503 (434) 384-2514 CARLPUTNAM@COMCAST.NET
05/09/12	CMP	CLIENT	AMERIMAX BUILDING PRODUCTS
		FILE	EquinoxPlans.dwg
		DESC	DETAILS